

WELCOME...

> TO THE CANNONDALE TEAM.

WE'RE A COLLECTION OF RIDERS, racers, engineers, innovators, and all-around bike nuts who spend their days focused on a single goal – creating the perfect ride...for you.

To achieve that, we're on our bikes every day. We compete. We talk with our fellow riders, from those at the local Wednesday night crits to those racing the Tour or Megavalanche, to those at the stoplight on the morning commute. We listen, we tweak, we test, and we ride some more.

This process, this passion for cycling that is the core of Cannondale culture, is the engine that drives us. It is the inspiration for incredible new bikes like the **SuperSix EVO Nano** – the most advanced road frame ever made, the **Trigger** – the newest member of the versatile **OverMountain** family, the blade-thin **Slice RS** aero bike and the **Quick** and **Quick CX** fitness and commuting machines.

So whether you're an elite competitor, a hard-core mountain enthusiast, an everyday commuter, or a weekend trail rider, we have a bike designed just for you – your perfect ride. Welcome to the team.

MOUNTAIN

› REIGN IN ALL TERRAIN.

Whether it's the skilled mayhem of the European Enduro Series, the full-throttle efforts of World Cup XC or just the fast, technical singletrack right out the back door of our Connecticut headquarters, the joy of knobbies on dirt drives us to create inspired mountain bikes that are perfect for your trails and your soul.



› OVERMOUNTAIN

Boundary-breaking, dual-travel, dual-geometry, two-in-one superbikes that redefine the "all" in all-mountain riding.

CLAYMORE (Big Mountain)
JEKYLL (All-Mountain)
JEKYLL MX (Enduro)
TRIGGER 29'ER (Cross-Mountain)
TRIGGER (Cross-Mountain)

› CROSS-COUNTRY FULL SUSPENSION

Light, responsive, versatile mid-travel full suspension bikes designed for fast trail riding.

SCALPEL 29'ER CARBON
SCALPEL 29'ER
RZ ONE TWENTY

› CROSS-COUNTRY HARDTAILS

Ultra-light, race-oriented hardtails for riders seeking the ultimate in efficiency and speed.

F29 CARBON
F29

› TRAIL

Light, durable, high-performance mountain bikes for all-around trail riding.

TRAIL SL 29'ER
TRAIL 29'ER
TRAIL SL
TRAIL

OVERMOUNTAIN

> GO ANYWHERE. RIDE EVERYTHING.

OverMountain is a family of boundary-breaking, dual-travel, dual-geometry, two-in-one superbikes that redefines the “all” in “all-mountain” riding.

Whether you choose the Big-Mountain **Claymore**, the All-Mountain **Jekyll** and **Scarlet**, or the Cross-Mountain **Trigger** and **Trigger 29'er**, OverMountain's light, tough and ultra responsive frames, and ability to change travel, shock response and geometry on the fly let you ride more of the mountain, better than ever.

KEY OVERMOUNTAIN TECHNOLOGY

Three key technologies shared by all OverMountain bikes:



> FOX DYAD RT2 DUAL SHOCK

The world's only true 2-in-one shock. Inside the **DYAD** are two different shocks - one short travel (**ELEVATE**) and one long travel (**FLOW**). Completely change travel, damping and geometry on the fly for the best possible performance across the widest spectrum of terrain.

ELEVATE – Like a short travel air shock. Great traction and pedaling efficiency for climbing and rolling terrain.

FLOW – Like a long travel coil shock: More travel and the plush, predictable ride-feel of a coil shock for high-speed descending.



> ATTITUDE ADJUST GEOMETRY

Different parts of the trail demand different geometries. Switch between the **DYAD's** two travel modes and the bike's geometry changes with it, thanks to the difference in sag heights.

ELEVATE – Shorter travel = less sag. The BB sits higher and the head and seat angles are steeper, delivering agile handling in tight terrain and a powerful climbing position.

FLOW – Longer travel = more sag. The BB sits lower and the angles are slacker, providing great high-speed stability and cornering.



> ECS-TC SYSTEM

The multi-part **ECS-TC** (Enhanced Center-Stiffness, Torsion Control) System prevents flex and play in the crucial links and pivots that connect the front triangle and swingarm for instant response to rider input and maximum control.

15MM CLAMPED THRU-AXLES – Clamping the shock link and swingarm to oversized thru-axles prevents twisting flex.

WIDE STANCE BEARINGS – Placing the bearings as far apart as possible maximizes stiffness.

DOUBLED REAR PIVOT BEARINGS – Placing two bearings side by side in the rear pivots eliminates twisting play in the cartridge bearings for instant responsiveness.



BIG-MOUNTAIN > CLAYMORE

For riders who live for huge hits and steep drops but who don't want to be limited to bike parks or shuttles.

TRAVEL: 180 / 110mm [R], 180mm [F]



ALL-MOUNTAIN > JEKYLL

For aggressive technical trail riders who want to climb fast, but descend even faster across wide range of mountain terrain.

TRAVEL: 150 / 90mm [R], 160mm OR 150mm [F]



ENDURO > JEKYLL MX

For Enduro racers and hard-core all-mountain riders who need full-bore descending capabilities balanced with efficient pedaling and climbing.

TRAVEL: 150 / 90mm [R], 160mm [F]



CROSS-MOUNTAIN > TRIGGER 29'ER

For fast, versatile trail riders looking to carry top-speed over rough, technical terrain.

TRAVEL: 130 / 80mm [R], 130mm [F]



CROSS-MOUNTAIN > TRIGGER

For fast, fluid trail riders seeking an agile blend of cross-country speed and all-mountain capability.

TRAVEL: 120 / 70mm [R], 130mm [F]



CLAYMORE

> BE YOUR OWN CHAIRLIFT.

The Big-Mountain **Claymore** brings unprecedented versatility and rideability to the long-travel category. With a flick of a switch, it changes from a monster big-hit machine with 180mm of travel to an efficient-climbing 110mm trail bike. The perfect choice for bike parks, shuttle runs, or exploring lines that no lift will ever serve.

TRAVEL: 180mm to 110mm (rear) / 180mm (front)

MOUNTAIN OVERMOUNTAIN
XC FULL SUSPENSION
XC HARDTAILS
TRAIL HARDTAILS



> SUPREME ADJUSTABILITY

A 2-position shock mount lets you choose the starting BB height and angles to suit your riding style and terrain, then **DYAD's** dual modes, **ELEVATE** (110mm) and **FLOW** (180mm), let you further tune geometry, travel and shock response on the fly. It's like having two totally different bikes in one.



> ECS-TC THRU-AXLES

One of the key reasons for **Claymore's** incredible responsiveness is the **ECS-TC** (Enhanced Center-Stiffness - Torsion Control) thru-axle system. The shock link and swingarm clamp directly onto burly 15mm thru-axles, eliminating flex and allowing the bike to respond instantly to input.



> DOUBLE BEARINGS

To further enhance stiffness and responsiveness, **Claymore** gets double-stacked bearings at the rear pivots. By placing two bearings side-by-side, we eliminate twisting play in the bearings, stiffening the swingarm and improving feel and control.



C13VA1

CLAYMORE 1

FRAME	CLAYMORE, 180/110MM, SMARTFORMED ALLOY
SUSPENSION, R/F	FOX DYAD RT2 180/110MM / FOX 36 TALAS R 180MM, 20QR
WHEELS	SUN RINGLE CHARGER PRO

TIRES	SCHWALBE HANS DAMPF TRAILSTAR, 2.35" TUBELESS READY
CRANKS	SRAM S1400, BB30, 36/22 - HUSSEFELT 36/24 W/ MRP GUIDE
DERAILLEURS, R/F	SHIMANO XT SHADOW PLUS / SRAM X7

MAGNESIUM WHITE, GLOSS (WHT)

SHIFTERS	SHIMANO XT
BRAKES	SHIMANO XT TRAIL, 203/180MM
SIZES	S, M, L



C13VA2

CLAYMORE 2

FRAME	CLAYMORE, 180/110MM, SMARTFORMED ALLOY
SUSPENSION, R/F	FOX DYAD RT2 180/110MM / FOX 36 VAN R, 180MM, 20QR
WHEELS	WTB ST I23 TCS W/ FORMULA HUBS

TIRES	WTB VIGILANTE TCS, 2.3" , TUBELESS READY
CRANKS	TRUVATIV RUKTION, 34 – HUSSEFELT 36/24 W/ MRP GUIDE
DERAILLEURS, R/F	SRAM X7/ X7

JET BLACK, GLOSS (BLK)

SHIFTERS	SRAM X7
BRAKES	AVID ELIXIR 5, 200/180MM
SIZES	S, M, L

JEKYLL

> GO ANYWHERE. RIDE ANYTHING.

The All-Mountain **Jekyll** is the most versatile bike on the hill. With its 90mm to 150mm on-the-fly adjustable travel and geometry that morphs from trail-bike nimble to high-speed stable at the flick of a switch, it's the perfect machine for technically aggressive all-mountain riders who climb fast, but want to descend even faster across the entire range of mountain terrain.

TRAVEL: 150 to 90mm (rear) / 160mm or 150mm (front)



> DYAD RT2

The same two-shocks-in-one **DYAD** technology found on the other OverMountain bikes, but with stroke, air spring volumes and damping circuits custom optimized for the **Jekyll's** 90mm **ELEVATE** and 150mm **FLOW** modes.



> ECS-TC SYSTEM

Clamped, 15mm thru-axles in the shock linkage and swingarm pivot, as well as double bearings at the rear dropouts eliminate flex and provide unmatched center-stiffness for complete responsiveness and control.



> LIGHT, TOUGH FRAMES

Whether it's the light and incredibly tough **BallisTec Carbon** or the unequalled aluminum engineering of our **SmartFormed Alloy**, the **Jekyll** frames deliver a combination of light weight, durability and stiffness that lets you float the climbs and blaze the descents.



C13VN1

JEKYLL CARBON 1

FRAME	JEKYLL, 150/90MM, BALLISTEC HI-MOD CARBON
SUSPENSION, R/F	FOX DYAD RT2 150/90MM / FOX 34 TALAS FIT, KASHIMA, 160MM, 15QR
WHEELS	REYNOLDS CARBON AM

TIRES	SCHWALBE HANS DAMPF TRAILSTAR, 2.35" TUBELESS READY
CRANKS	SRAM S2210, BB30, 36/22 – HUSSEFELT 36/24 W/ MRP GUIDE
DERAILLEURS, R/F	SHIMANO XTR SHADOW PLUS / SRAM X0

JET BLACK W/ MAGNESIUM WHITE AND BERSERKER GREEN ACCENTS, GLOSS (BLK)

SHIFTERS	SHIMANO XT
BRAKES	SHIMANO XTR TRAIL, 180/180MM
SIZES	S, M, L, XL

MOUNTAIN OVERMOUNTAIN
XC FULL SUSPENSION
XC HARDTAILS
TRAIL HARDTAILS



C13VN2

JEKYLL CARBON 2

FRAME	JEKYLL, 150/90MM, BALLISTEC HI-MOD CARBON
SUSPENSION, R/F	FOX DYAD RT2 150/90MM / FOX 34 TALAS CTD, 160MM, 15QR
WHEELS	MAVIC CROSSTAIL

TIRES	SCHWALBE HANS DAMPF TRAILSTAR, 2.35" TUBELESS READY
CRANKS	SRAM S2210, BB30, 36/22 – HUSSEFELT 36/24 W/ MRP GUIDE
DERAILLEURS, R/F	SRAM X9 TYPE 2 / X7

JET BLACK, W/ NEARLY BLACK AND I LOVE GOLD ACCENTS, MATTE (BBQ)

SHIFTERS	SRAM X9
BRAKES	MAGURA MT4, 180/180MM
SIZES	S, M, L, XL



C13VN3

JEKYLL 3

FRAME	JEKYLL, 150/90MM, SMARTFORMED ALLOY
SUSPENSION, R/F	FOX DYAD RT2 150/90MM / FOX 32 FLOAT CTD, 150MM, 15QR
WHEELS	SHIMANO MT68, TUBELESS READY

TIRES	WTB VIGILANTE FRONT/ MOTO REAR, TCS, 2.3, TUBELESS READY
CRANKS	SRAM S1400, BB30, 36/22
DERAILLEURS, R/F	SHIMANO XT SHADOW PLUS / SRAM X7

JET BLACK, MATTE (BBQ)

SHIFTERS	SHIMANO SLX
BRAKES	MAGURA MT2 W/BAT, 180/180MM
SIZES	S, M, L, XL



MARK WEIR CANNONDALE OVERMOUNTAIN TEAM

"I'm faster everywhere on my Jekyll, up or down. It's unreal. It's a bike that is actually built for the kind of riding we're doing now."



C13VN4

JEKYLL 4

FRAME	JEKYLL, 150MM, SMARTFORMED ALLOY
SUSPENSION, R/F	XFUSION P1-RL 150MM / ROCKSHOX SEKTOR TK, 150MM, 15QR
WHEELS	WTB ST 11.9 TCS W/ FORMULA HUBS

TIRES	WTB VIGILANTE FRONT/ MOTO REAR, TCS, 2.3", TUBELESS READY
CRANKS	SRAM S1000, BB30, 44/33/22
DERAILLEURS, R/F	SRAM X7 / X7

MAGNESIUM WHITE, GLOSS (WHT)

SHIFTERS	SRAM X5
BRAKES	MAGURA MT2, 180/180MM
SIZES	S, M, L, XL

JEKYLL MX

> THE ENDURO RACE WEAPON.

If your style of riding and racing mixes climbing and pedaling with tons of full-throttle descending, the **Jekyll MX** is your bike. Inspired by the set-ups run by the OverMountain team, the **MX** takes **Jekyll's** instant responsiveness and dual-nature versatility and makes it even more DH-capable with a full-on Enduro-race-ready spec.

TRAVEL: 150 to 90mm (rear) / 160mm (front)



C13VNX

JEKYLL MX

FRAME JEKYLL, 150/90MM, SMARTFORMED ALLOY

SUSPENSION, R/F FOX DYAD RT2 150/90MM / FOX 36 FLOAT R, 160MM, 20QR

WHEELS WTB STRYKER TCS 123

TIRES WTB VIGILANTE FRONT/ MOTO REAR, TCS, 2.3", TUBELESS READY

CRANKS SRAM S1400, BB30, 36/22 – HUSSEFELT 36/24 W/ MRP GUIDE

DERAILLEURS, R/F SHIMANO XT SHADOW PLUS / SRAM X7

JET BLACK, GLOSS (BLK)

SHIFTERS SHIMANO XT

BRAKES SHIMANO XT TRAIL, 180/180MM

SIZES S, M, L, XL

> DYAD RT2

The OverMountain riders use **DYAD's ELEVATE** mode for more than just climbing. They flip to it for fast efficient starts, pumping through rollers, and gaining time on pedaling sections. Then it's back to **FLOW** for wide-open, fluid descending.

> RUGGED ENDURO RACE SPEC

The OverMountain-Team-inspired parts spec includes a burly FOX 36 fork with 20mm thru-axle, stout WTB Stryker wheels, MRP chain guide and RockShox dropper post so the **MX** is ready for anything.

> SMARTFORMED ALLOY FRAME

SmartForming is sophisticated mix of hydroforming, mechanical shaping, taper-butting, double-pass smooth welding, 3D forging and small-batch heat treating (a complicated way of saying it's the most bad-ass aluminum construction on the planet).

TRIGGER 29'ER

> OVERMOUNTAIN. OVER ANYTHING.

Climb with an ultra-efficient, nimble 80mm travel trail bike, descend with an unstoppable, stable, 130mm travel big-wheel trail machine. The **Trigger 29'er** combines **OverMountain's** dual-travel/dual personalities with the irresistible roll-over-anything momentum of big wheels. It's a perfect match.

TRAVEL: 130mm to 80mm (rear) / 130mm (front)

MOUNTAIN OVERMOUNTAIN
XC FULL SUSPENSION
XC HARDTAILS
TRAIL HARDTAILS

NEW SUPERMAX
THE BIGGEST, BADDEST
29'ER FORK ON
THE PLANET!



> DYAD RT2

While other long-travel 29'ers are forced to strike a compromise between the needs of climbing and descending, the **Trigger 29'er's** **DYAD** shock lets it change travel, damping and geometry to suit the terrain, so it both out-climbs and out-descends the competition.



> ECS-TC SYSTEM

Stiffness is even more important on 29'ers. The **Trigger 29'er** has the **ECS-TC** oversized, clamped thru-axles at the swingarm and main link pivots, and double bearings at each end of the seatstays to radically reduce flex and play for the ultimate in responsiveness and control.



> IDEAL 29'ER GEOMETRY

The curved seat-tube lets the **Trigger 29'er** have incredibly short chainstays for nimble handling and agility, and yet still get a full 130mm of travel in **FLOW** mode.



C13VZ91

TRIGGER 29'ER 1

FRAME	TRIGGER 29'ER, 130/80MM, SMARTFORMED ALLOY
SUSPENSION, R/F	FOX DYAD RT2 130/80MM / SUPERMAX CARBON PBR 130 29
WHEELS	STAN'S ZTR CREST 29'ER W/ LEFTY & SHIMANO HUBS

TIRES	SCHWALBE HANS DAMPF, 2.35" TUBELESS READY
CRANKS	SRAM S1400, BB30, 36/22 W/GUARD
DERAILLEURS, R/F	SHIMANO XT SHADOW PLUS / SRAM X7

JET BLACK, GLOSS (BLK)

SHIFTERS	SHIMANO XT
BRAKES	SHIMANO XT TRAIL, 180/160MM
SIZES	S, M, L, X



C13VZ92

TRIGGER 29'ER 2

FRAME	TRIGGER 29'ER, 130/80MM, SMARTFORMED ALLOY
SUSPENSION, R/F	FOX DYAD RT2 130/80MM / FOX 34 FLOAT CTD FIT 29 130MM, 15QR
WHEELS	WTB FREQUENCY RACE I23 29'ER TCS W/ FORMULA HUBS

TIRES	SCHWALBE HANS DAMPF, 2.35" TUBELESS READY
CRANKS	SRAM S1000, BB30, 36/22 W/GUARD
DERAILLEURS, R/F	SRAM X9 TYPE 2/ X7

JET BLACK, MATTE (BBQ)

SHIFTERS	SRAM X7
BRAKES	MAGURA MT2 W/BAT, 180/160MM
SIZES	S, M, L, X



C13VZ93

TRIGGER 29'ER 3

FRAME	TRIGGER 29'ER, 130MM, SMARTFORMED ALLOY
SUSPENSION, R/F	XFUSION P1-RL 130MM / ROCKSHOX REVELATION RL 29, 130MM, 15QR
WHEELS	WTB ST I23 29'ER TCS W/ FORMULA HUBS

TIRES	WTB WOLVERINE TCS, 2.25" TUBELESS READY
CRANKS	SRAM S1000, BB30, 36/22 W/GUARD
DERAILLEURS, R/F	SHIMANO XT / SRAM X7

MAGNESIUM WHITE W/ JET BLACK AND ULTRA BLUE ACCENTS, GLOSS (BLU)

SHIFTERS	SHIMANO SLX
BRAKES	MAGURA MT2, 180/160MM
SIZES	S, M, L, X

TRIGGER

> CROSS-COUNTRY FAST MEETS ALL-MOUNTAIN CAPABLE.

The Cross-Mountain **Trigger** blurs the line between cross-country and all-mountain. Shorter travel with a more fast-trail oriented geometry, **Trigger** brings the best of **OverMountain** technology to fast, fluid riders whose style and terrain require less travel and aggressiveness than the **Jekyll**. Pull the Trigger.

TRAVEL: 120mm to 70mm (rear) / 130mm (front)



C13VM1

TRIGGER 1

FRAME	TRIGGER, 120/70MM, BALLISTEC HI-MOD CARBON
SUSPENSION, R/F	FOX DYAD RT2 120/70MM / LEFTY CARBON XLR 130 26
WHEELS	REYNOLDS AM CARBON 26 W/ LEFTY

TIRES	SCHWALBE RACING RALPH EVO, 2.25" TUBELESS READY
CRANKS	SRAM S2210, BB30, 38/24 W/GUARD
DERAILLEURS, R/F	SHIMANO XTR SHADOW PLUS / SRAM X0

EXPOSED CARBON W/ MAGNESIUM WHITE AND BERSERKER GREEN ACCENTS, GLOSS (BLK)

SHIFTERS	SHIMANO XT
BRAKES	SHIMANO XTR TRAIL, 180/160MM
SIZES	S, M, L, XL

> DYAD RT2

A smaller **DYAD** shock provides the same two-shocks-in-one benefits and performance of **Claymore** and **Jekyll**, but dialed for the **Trigger**. **ELEVATE** (70mm) delivers near race-bike efficiency, while **FLOW** (120mm) offers up a plusher, all-mountain feel.

> ECS-TC SYSTEM

Clamped, 15mm thru-axes in the shock linkage and swingarm pivot eliminate flex and provide excellent center-stiffness for complete control.

> SYSTEM INTEGRATION

We achieve incredible weight savings and efficiency by designing components and frames to work together. Our **Lefty** fork and **Si OPI Stem** provides unmatched stiffness and light weight for a long travel bike.



C13VM2

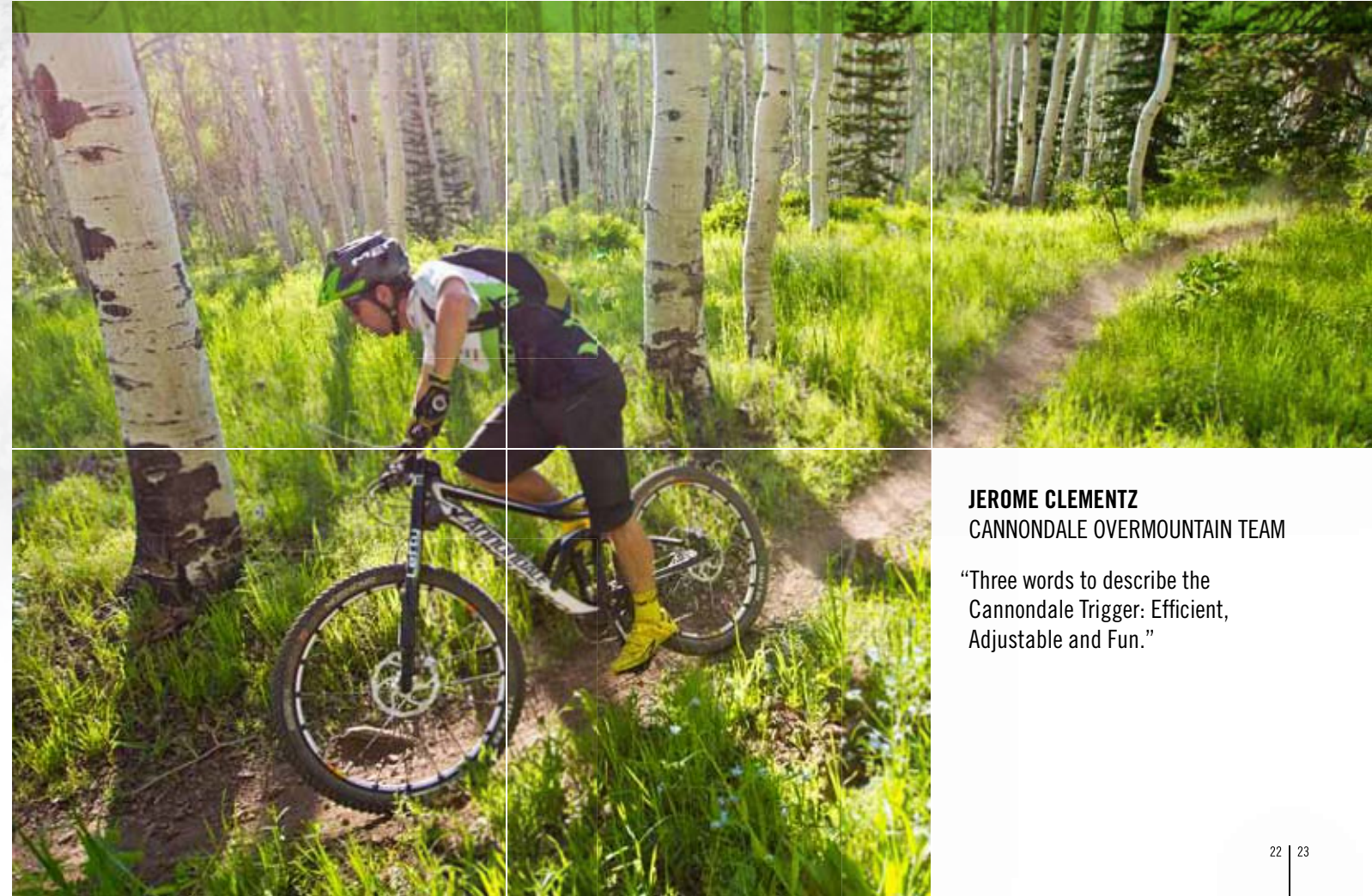
TRIGGER 2

FRAME	TRIGGER, 120MM, BALLISTEC HI-MOD CARBON
SUSPENSION, R/F	XFUSION P1-RL 120MM / LEFTY PBR 130 26
WHEELS	MAVIC CROSSTAIL W/ LEFTY

TIRES	SCHWALBE RACING RALPH PERFORMANCE, 2.25"
CRANKS	SRAM S1400, BB30, 38/24 W/GUARD
DERAILLEURS, R/F	SRAM X9 TYPE 2/ X7

MAGNESIUM WHITE W/ JET BLACK AND ULTRA BLUE ACCENTS, GLOSS (BLU)

SHIFTERS	SRAM X9
BRAKES	MAGURA MT2 W/BAT, 180/160MM
SIZES	S, M, L, XL



JEROME CLEMENTZ
CANNONDALE OVERMOUNTAIN TEAM

"Three words to describe the Cannondale Trigger: Efficient, Adjustable and Fun."

LEFTY

> SUPERIOR PERFORMANCE THROUGH UNCONVENTIONAL DESIGN.

The LIGHTER-STIFFER-STRONGER-SMOOTHER front suspension –
Now with SEALED HYBRID NEEDLE-BEARING TECHNOLOGY



> LIGHTER

Lefty's minimalist single-leg design lets it be lighter than most competitors' lightest XC race forks.

> STIFFER

Lefty's stout structure, combined with its "square-in-a square" stanchion design and lower glide bearing make it torsionally stiffer than any fork in the world, for pinpoint steering precision.

> STRONGER

Lefty's dual crowns and oversize inverted structure give it such strength that even the lightest **Lefty** can out-perform burly all-mountain forks in destructive testing.

> SMOOTHER

The heart of the **Lefty**, Cannondale's patented hybrid needle-bearing technology keeps the suspension moving freely, regardless of load. Even under the hardest braking, impact, and steering forces, the wheel is able to track the ground fluidly for maximum control.

> WORRY-FREE

The new hybrid design allows the entire fork structure to be completely sealed against the elements for long service life and features auto-resetting needle bearings to eliminate the need for regular manual resets.

KEY LEFTY TECHNOLOGY



> LEFTY W/ HYBRID NEEDLE-BEARING TECHNOLOGY



> DUAL CROWN INVERTED DESIGN

With the larger, stiffer fork tube on top where it can more effectively fight flex and add strength, and dual crowns connecting it solidly to the headtube, the **Lefty's** unconventional design is simply the lightest, stiffest, strongest way to build a fork.



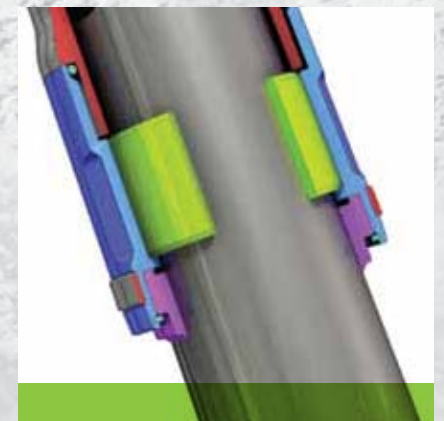
> SQUARE-IN-SQUARE DESIGN

The needle bearing races form a square-in-square interface between the inner and outer fork legs, preventing the two tubes from rotating relative to each other like the round-in-round design of traditional forks. Contributes to **Lefty's** incredibly stiff and precise handling.



> HYBRID NEEDLE-BEARING SYSTEM

Friction-free needle-bearings provide unmatched smooth suspension under all loads, while the lower glide bearing provides additional support for improved stiffness and steering precision as the fork moves through its travel.



> DURATHON SEALING SYSTEM

A comprehensive internal and external sealing system keeps the good stuff in and the bad stuff out, allowing for more than double the time between recommended services than our competition.

SUPERMAX 29'ER

> LEFTY GOES BIG.

The all-new **SuperMax** takes everything that makes **Lefty** great and supersedes it. The result: a fork as stiff and strong as most dual-crown DH forks, yet lighter than most all-mountain forks. Just the thing for longer-travel 29'ers.



> MASSIVELY OVERSIZED

The **SuperMax's** lower leg is 36mm in diameter, while the upper leg measures a whopping 46mm for maximum stiffness and steering precision.

> SHORT STEM COMPATIBLE

To accommodate current trail riding set-ups, an offset axle allows the fork leg to sit further back, creating enough clearance to run stems as short as 50mm.

> MULTIPLE SIZES

To ensure that riders can achieve the best fit on long travel 29'ers, the **SuperMax** is offered with multiple crown spacings to fit different headtube lengths.

> WIDE FLANGE HUB

The new **SuperMax Lefty** hub features wider flange spacing which allows increased spoke angle for a stronger, stiffer wheel.

LEFTY OPTIONS



3 STRUCTURE OPTIONS:

> SUPERMAX CARBON

- The stiffest, strongest **Lefty**
- Oversized multi-layer unidirectional carbon outer leg
 - Alloy Crowns
 - Oversized alloy inner leg w/offset axle



> LEFTY CARBON

- The lightest **Lefty**
- Multi-layer unidirectional carbon outer leg
 - Alloy Crowns
 - **OPI** (One-Piece-Integration) Inner Leg/Axle



> LEFTY OPI ALLOY

- Light and strong, with a sleek, seamless look
- Alloy outer leg and crowns forged as one piece with Cannondale's **OPI** process
 - **OPI** (One-Piece-Integration) Inner Leg/Axle



2 DAMPER CONTROL OPTIONS:

> XLR

Handlebar-mounted Xloc® Hydraulic Platform "lockout" w/ rebound adjustment
Fork control within thumb's reach

**Thanks to our friends at RockShox*



> PBR

Push-button Platform "lockout" w/ rebound adjustment
Easy to use (closer to the rider's hands than any other fork-top lockout)

LEFTY LINE-UP

	TRAVEL	WHEEL	WEIGHT
SUPERMAX	130	29"	1850
LEFTY CARBON XLR	130	26"	1315
	120	26"	1320
	100	26"	1250
	100	29"	1332
	90	29"	1342
LEFTY XLR	130	26"	1435
	120	26"	1440
	100	26"	1394
	100	29"	1445
	90	29"	1455
LEFTY PBR	130	26"	1381
	120	26"	1391
	100	26"	1334
	100	29"	1408
	90	29"	1418

SCALPEL 29'ER

> GIVE YOURSELF AN EDGE.

This sharp-handling, ultralight dual suspension 29'er effortlessly dissects switchbacks and slashes through long-haul courses. With its ultra precise **Lefty** fork and responsive 29'er Race Geometry, the **Scalpel 29'er** blends unstoppable 29'er momentum with the quickness and agility of a 26'er – just the edge fast trail riders, marathon competitors and XC racers are looking for.

TRAVEL: 100mm front and rear.

MOUNTAIN OVERMOUNTAIN
XC FULL SUSPENSION
XC HARDTAILS
TRAIL HARDTAILS



> SUPER LIGHTWEIGHT DESIGN

The ultra light frames are available in either **BallisTec Carbon** or **SmartFormed Alloy** versions. Add in **System Integration** of the **Lefty** fork and **OPI** stem/steerer and you get complete bike weights our competitors can only dream of.



> STIFFNESS ENHANCING FEATURES

A stout, machined aluminum shock link pairs with **ECS-TC** clamped 15mm thru-axles in the shock link and swingarm pivot to eliminate flex and play, delivering snappy acceleration and precise control.



> ZERO-PIVOT SEATSTAYS

Through precise carbon lay-up, the seat-stays are designed to flex vertically while remaining extremely stiff laterally and torsionally for the best blend of light weight and responsive stiffness. The alloy **Scalpels** get **ECS-TC** double bearings, like the **Jekyll**, in the dropout pivots in place of **Zero-Pivot** stays for maximum rigidity.



C13VP90

SCALPEL 29'ER CARBON ULTIMATE

FRAME	SCALPEL 29'ER, 100MM, BALLISTEC HI-MOD CARBON
SUSPENSION, R/F	FOX FACTORY CTD KASHIMA 100MM / LEFTY CARBON XLR 100 29
WHEELS	ENVE TWENTY9 XC CARBON W/LEFTY & DT SWISS 240

TIRES	SCHWALBE RACING RALPH, 2.1" EVO TUBELESS READY
CRANKS	CANNONDALE HOLLOGRAM SI SL, 39/26
DERAILLEURS, R/F	SHIMANO XTR SHADOW PLUS / SRAM XX

EXPOSED CARBON W/ MAGNESIUM WHITE, MATTE (BBQ)

SHIFTERS	SHIMANO XTR
BRAKES	MAGRUA MT8 160/160MM
SIZES	S, M, L, X



EXPOSED CARBON W/CHARCOAL GRAY AND FINE SILVER, MATTE (BBQ)

C13VP91

SCALPEL 29'ER CARBON 1

FRAME	SCALPEL 29'ER, 100MM, BALLISTEC HI-MOD CARBON
SUSPENSION, R/F	LEFTY CARBON XLR 100 29 / SRAM XX W/ X-LOC 100MM
WHEELS	REYNOLDS XC CARBON 29'ER W/ LEFTY

TIRES	SCHWALBE RACING RALPH, 2.1" EVO TUBELESS READY
CRANKS	SRAM XO, BB30, 38/24
DERAILLEURS, R/F	SRAM XO / SRAM XO

EXPOSED CARBON W/ MAGNESIUM WHITE AND ULTRA BLUE, GLOSS (BLK)

SHIFTERS	SRAM XO
BRAKES	AVID X0 CARBON 180 / 180MM
SIZES	S, M, L, X



C13VP92

SCALPEL 29'ER CARBON 2

FRAME	SCALPEL 29'ER, 100MM, BALLISTEC HI-MOD CARBON
SUSPENSION, R/F	LEFTY XLR 100 29 / ROCKSHOX MONARCH RT3 100MM
WHEELS	STAN'S ZTR ARCH EX 29'ER W/ LEFTY & SUN RINGLE HUBS

TIRES	SCHWALBE RACING RALPH, 2.1" EVO TUBELESS READY
CRANKS	SRAM S2210, BB30, 38/24
DERAILLEURS, R/F	SHIMANO XTR SHADOW PLUS / SRAM X9

EXPOSED CARBON W/ MAGNESIUM WHITE AND BERSERKER GREEN ACCENTS, GLOSS (GRN)

SHIFTERS	SHIMANO XT
BRAKES	AVID ELIXIR 9 CARBON, 180/160MM
SIZES	S, M, L, X



C13VP93

SCALPEL 29'ER 3

FRAME	SCALPEL 29'ER, 100MM, SMARTFORMED ALLOY
SUSPENSION, R/F	LEFTY PBR 100 29 / FOX PERFORMANCE CTD 100MM
WHEELS	WTB ST 119 W/ LEFTY & FORMULA HUBS

TIRES	SCHWALBE RACING RALPH PERFORMANCE 2.25"
CRANKS	SRAM S1000, BB30, 38/24
DERAILLEURS, R/F	SRAM X9 / X7

MAGNESIUM WHITE, GLOSS (WHT)

SHIFTERS	SRAM X7
BRAKES	AVID ELIXIR 5 180/160MM
SIZES	S, M, L, X



C13VP94

SCALPEL 29'ER 4

FRAME	SCALPEL 29'ER, 100MM, SMARTFORMED ALLOY
SUSPENSION, R/F	ROCKSHOX RECON GOLD TK 29, 80MM / XFUSION E1 RL 100MM
WHEELS	SUN RINGLE INFERNO25 W/ FORMULA HUBS

TIRES	SCHWALBE RAPID ROB 2.25"
CRANKS	FSA COMET, BB30, 42/32/24
DERAILLEURS, R/F	SHIMANO XT / SLX

JET BLACK, GLOSS (BLK)

SHIFTERS	SHIMANO DEORE
BRAKES	AVID ELIXIR 3, 180/160MM
SIZES	S, M, L, X

RZ ONE TWENTY

➤ TRAIL PROVEN, RACE READY.

This refined single-pivot design is the culmination of years of dual suspension expertise. The light, stiff frame and plush suspension deliver a ride quality that's balanced, efficient and fun, making **RZ** the perfect choice for weekend racers and all day trail riders.

TRAVEL: 120mm front and rear



JET BLACK, MATTE (BBQ)

C13VL1 RZ ONE TWENTY 1

FRAME	RZ ONE TWENTY, 120MM, SMARTFORMED ALLOY
SUSPENSION, R/F	ROCKSHOX MONARCH RL 120MM / ROCKSHOX RECON GOLD TK, 120MM
WHEELS	MADDUX DC3.0 W/FORMULA HUBS

TIRES	SCHWALBE RAPID ROB 2.25"
CRANKS	SRAM S800 3.2, 44/32/22
DERAILLEURS, R/F	SRAM X7 / X5

JET BLACK, GLOSS (BLK)

SHIFTERS	SRAM X5
BRAKES	AVID ELIXIR 3, 180/160MM
SIZES	S, M, L, X

➤ STAGED TRAVEL

A custom tuned shock paired to a precisely engineered swing link delivers 120mm of perfectly staged travel that is supple at the start, linear through the middle for efficient pedaling and firm at the end to prevent bottoming.

➤ SUPERB HANDLING

The perfect mix of stable and racy, the **RZ's** geometry lets you feel at home and in control no matter what the mountain throws your way, making this a brilliant all-around trail bike.

➤ SMARTFORMED ALUMINUM

A complex mix of hydroforming, mechanical shaping, taper-butting, double-pass smooth welding and the 3D forged **OPI** (One Piece Integration) **Backbone** seat tube, BB shell and swingarm pivot delivers maximum strength with minimal weight.

MOUNTAIN OVERMOUNTAIN
XC FULL SUSPENSION
XC HARDTAILS
TRAIL HARDTAILS



MAGNESIUM WHITE, GLOSS (WHT)



C13VL2

RZ ONE TWENTY 2

FRAME	RZ ONE TWENTY, 120MM SMARTFORMED ALLOY
SUSPENSION, R/F	X-FUSION E1 RL 120MM / X-FUSION VELVET RL, 120MM
WHEELS	MADDUX DC3.0 W/FORMULA HUBS

TIRES	SCHWALBE RAPID ROB 2.25"
CRANKS	SHIMANO M552 42/32/24
DERAILLEURS, R/F	SHIMANO SLX / DEORE

JET BLACK, MATTE (BBQ)

SHIFTERS	SHIMANO DEORE
BRAKES	AVID ELIXIR 1, 180/160MM
SIZES	S, M, L, X



F29

> THE FINER 29'ER.

Racers and hardtail-lovin' loyalists everywhere have found that the Cannondale **F29s** offer the ultimate in 29'er performance. With their ultralight, ultra-stiff frames, **SPEED SAVE** micro-suspension technology and 29'er Race Geometry, the **F29s** combine the light weight and agility of 26" wheeled bikes with the relentless momentum of big wheels.

Available in 3 frame options – ultra-light **Hi-MOD BallisTec Carbon**, lightweight **BallisTec Carbon**, or lightest-in-class **SmartFormed Alloy**.



> LEFTY SYSTEM INTEGRATION

The unmatched light weight and precision of our **Lefty** fork is an even bigger advantage on 29'ers. It's class leading stiffness and light weight make an even bigger difference on the big wheeled bikes. Combined with the superlight **Si OPI** stem/steerer and **Hollowgram SL BB30** Cannondale's **System Integration** sheds hundreds of grams.



> SPEED SAVE VIBRATION ELIMINATION TECHNOLOGY

SPEED SAVE rear stays create a ride-tuned micro suspension system that allows the rear wheel to track the ground, improving control, traction and handling. This allows the bike to roll faster, accelerate better and corner harder.



> SAVE SEATPOST

Through the use of sophisticated carbon layups our **SAVE** seatpost adds over 20mm of comfort enhancing, bump absorbing damping to the frame. Less vibration results in reduced fatigue and increased comfort, letting you ride longer and faster.



MOUNTAIN OVERMOUNTAIN
XC FULL SUSPENSION
XC HARDTAILS
TRAIL HARDTAILS

C13FS290S

F29 CARBON HI-MOD ULTIMATE

FRAME	F29, BALLISTEC HI-MOD CARBON, SPEED SAVE
FORK	LEFTY CARBON XLR 90 29
WHEELS	ENVE TWENTY9 XC CARBON W/LEFTY & DT SWISS 240

TIRES	SCHWALBE RACING RALPH, 2.1" EVO TUBELESS READY
CRANKS	CANNONDALE HOLLOWGRAM SI SL, 39/26
DERAILLEURS, R/F	SRAM XX / SRAM XX

EXPOSED CARBON W/ NEARLY BLACK AND CHARCOAL GREY ACCENTS, MATTE (CRB)

SHIFTERS	SRAM XX
BRAKES	MAGURA MT8, 160/140MM
SIZES	M, L, XL



C13FS291S

F29 CARBON HI-MOD 1

FRAME	F29, BALLISTEC HI-MOD CARBON, SPEED SAVE
FORK	LEFTY CARBON XLR 90 29
WHEELS	REYNOLDS XC CARBON 29"ER W/ LEFTY

TIRES	SCHWALBE RACING RALPH, 2.1" EVO TUBELESS READY
CRANKS	SRAM S2210, BB30, 38/24
DERAILLEURS, R/F	SHIMANO XTR SHADOW PLUS / SRAM XO

MAGNESIUM WHITE W/ RACE RED AND ULTRA BLUE ACCENTS, GLOSS (RED)

SHIFTERS	SHIMANO XTR
BRAKES	SRAM XO CARBON, 180/160MM
SIZES	M, L, XL



C13FS292S

F29 CARBON 2

FRAME	F29, BALLISTEC CARBON, SPEED SAVE
FORK	LEFTY XLR 90 29
WHEELS	STAN'S ZTR ARCH EX 29"ER W/ LEFTY & SUN RINGLE HUBS

TIRES	SCHWALBE RACING RALPH, 2.1" EVO TUBELESS READY
CRANKS	SRAM S2210, BB30, 38/24
DERAILLEURS, R/F	SRAM XO / X7

MAGNESIUM WHITE W/ CHARCOAL GRAY AND RUBY RED ACCENTS, GLOSS (GRY)

SHIFTERS	SRAM X9
BRAKES	AVID ELIXIR 9 CARBON, 180/160MM
SIZES	M, L, XL



C13FS293S

F29 CARBON 3

FRAME F29, BALLISTEC CARBON, SPEED SAVE

FORK LEFTY PBR 90 29

WHEELS WTB FREQUENCY RACE I19 TCS
W/ LEFTY, SHIMANO M525

TIRES SCHWALBE RACING RALPH PERFORMANCE
2.25" TUBLESS READY

CRANKS SRAM S1000, BB30, 38/24

DERAILLEURS, R/F SHIMANO XT SHADOW PLUS / SRAM X7

EXPOSED CARBON W/ MAGNESIUM WHITE AND
BERSERKER GREEN ACCENTS, GLOSS (WHT)

SHIFTERS SHIMANO SLX

BRAKES AVID ELIXIR 7, 180/160MM

SIZES M, L, XL



C13FA291

F29 1

FRAME F29, SMARTFORMED ALLOY, SPEED SAVE

FORK LEFTY PBR 90 29

WHEELS WTB FREQUENCY RACE I19 TCS W/ LEFTY, SRAM X9

TIRES SCHWALBE RAPID ROB 2.25"

CRANKS SRAM S1400 BB30, 38/24

DERAILLEURS, R/F SRAM X9 / X7

MAGNESIUM WHITE, GLOSS (WHT)

SHIFTERS SRAM X9

BRAKES AVID ELIXIR 7, 180/160MM

SIZES S, M, L, XL

MARCO AURELIO FONTANA
CANNONDALE FACTORY RACING TEAM
Bronze Medalist

“The F29’er is the perfect weapon for
the hardest XCO tracks in the world.
Light. Fast. Comfortable. Well, I
think I forgot beautiful and sexy.”



C13FA292

F29 2

FRAME F29, SMARTFORMED ALLOY, SPEED SAVE

FORK LEFTY PBR 90 29

WHEELS WTB FREQUENCY RACE I19 TCS
W/ LEFTY, SHIMANO M525

TIRES WTB NINE LINE 2.0"

CRANKS SHIMANO M552, 42/32/24

DERAILLEURS, R/F SHIMANO XT SHADOW PLUS / DEORE

JET BLACK, MATTE (BBQ)

SHIFTERS SHIMANO SLX

BRAKES MAGURA MT2, 180/160MM

SIZES S, M, L, XL

TRAIL

THE ATTAINABLE SUPERBIKES.

With frame weights and technology that rivals anything found on the World Cup race circuit just a few years back, the **TRAIL** series proves that riders don't have to spend a ton to get truly exceptional performance. Available in either the lightweight **TRAIL** or superlight **TRAIL SL**, in both 26" and 29" versions, there's a **TRAIL** for everyone from the first-time rider to the seasoned off-road veteran.



C13FS291

TRAIL SL 29'ER 1

FRAME	TRAIL SL 29'ER, OPTIMIZED 6061 ALLOY, SAVE
FORK	ROCKSHOX RECON GOLD TK 29 80MM, W/ LOCKOUT
WHEELS	MADDUX DC3.0 29'ER W/ SHIMANO HUBS

TIRES	WTB NINE LINE 2.0"
CRANKS	FSA COMET, 42/32/24
DERAILLEURS, R/F	SHIMANO XT / DEORE

MAGNESIUM WHITE, GLOSS (WHT)

SHIFTERS	SHIMANO DEORE
BRAKES	SHIMANO BR-M505 HYDRAULIC DISC, 180/160MM
SIZES	S, M, L, X, J



JET BLACK, MATTE (BBQ)



C13FS292

TRAIL SL 29'ER 2

FRAME	TRAIL SL 29'ER, OPTIMIZED 6061 ALLOY, SAVE
FORK	ROCKSHOX RECON SILVER TK 29 80MM, W/ LOCKOUT
WHEELS	MADDUX DC3.0 29'ER W/ FORMULA HUBS

TIRES	WTB NINE LINE 2.0"
CRANKS	SRAM S800 3.1, 44/33/22
DERAILLEURS, R/F	SRAM X5 / SRAM X5

ULTRA BLUE, GLOSS (BLU)

SHIFTERS	SRAM X5
BRAKES	AVID ELIXIR 1 HYDRAULIC DISC, 180/160MM
SIZES	S, M, L, X, J

MOUNTAIN OVERMOUNTAIN XC FULL SUSPENSION XC HARDTAILS TRAIL HARDTAILS



JET BLACK, GLOSS (BLK)

ALL NEW FRAME

Modeled after our high-end **F-Series** bikes, the **Trail SL** frames have been completely redesigned for 2013 with a new, lighter-weight tubeset, lighter dropouts and more exaggerated **SAVE** features. Lighter, Stiffer, Smoother... Better.

CANNONDALE ALUMINUM CRAFTING

Complex tube shapes, smooth internal taper-butting and our hallmark double-pass smooth welds showcase Cannondale's aluminum frame mastery. Our painstaking process eliminates many of the stress-risers and weak points found on traditional welded frames, enabling us to build lighter, stronger frames.

29'ER RACE GEOMETRY VS TRAIL 29'ER GEOMETRY

New for 2013, **Trail SL 29'er** gets our nimble-handling 29'er Race Geometry. The shorter wheelbase and steeper head angle give it an incredibly quick, agile and precise feel. The **Trail 29'er** geometry has a slightly longer wheelbase and slacker head angle for super stable, confidence-inspiring handling.





C13FS293R

TRAIL SL 29'ER 3 SS

FRAME	TRAIL SL 29'ER SS, OPTIMIZED 6061 ALLOY, SAVE
FORK	CANNONDALE FATTY RIGID 29'ER
WHEELS	MADDUX DC3.0 29'ER W/ FORMULA HUBS

TIRES	WTB NINE LINE 2.0"
CRANKS	TRUVATIV E-400 1.0G SS, 33T
DERAILLEURS, R/F	N/A

40 BLUE, GLOSS (BLU)

SHIFTERS	N/A
BRAKES	SHIMANO BR-M375 MECHANICAL DISC, 180/160MM
SIZES	S, M, L, X, J



C13FT295

TRAIL 29'ER 5

FRAME	TRAIL 29'ER, DOUBLE BUTTED 6061 ALLOY, SAVE
FORK	SR SUNTOUR XCM-HLO-29, 80MM W/ LOCKOUT
WHEELS	ALEX DC4.5 29'ER W/ CANNONDALE C4 HUBS

TIRES	WTB NINE LINE 2.0"
CRANKS	SHIMANO, FC-M311-8, 42/32/22
DERAILLEURS, R/F	SHIMANO ACERA / ALTUS

JET BLACK, GLOSS (BLK)

BERSERKER GREEN, GLOSS (GRN)

SHIFTERS	SHIMANO ACERA
BRAKES	SHIMANO BR-M375 MECHANICAL DISC, 160/160MM
SIZES	S, M, L, X, J



C13FS294

TRAIL SL 29'ER 4

FRAME	TRAIL SL 29'ER, OPTIMIZED 6061 ALLOY, SAVE
FORK	SR SUNTOUR XCR-LO-29, COIL, 80MM, W/ LOCKOUT
WHEELS	MADDUX DC3.0 29'ER W/ CANNONDALE C4 HUBS

TIRES	WTB NINE LINE 2.0"
CRANKS	SHIMANO FC-M391-8, 44/32/22
DERAILLEURS, R/F	SHIMANO ALIVIO / ALIVIO

SOLDIER OF FORTUNE, MATTE (GRN)

SHIFTERS	SHIMANO ACERA
BRAKES	CANNONDALE HELIX 6 HYDRAULIC DISC, 180/160MM
SIZES	S, M, L, X, J



JET BLACK, MATTE (BBQ)



C13FT296

TRAIL 29'ER 6

FRAME	TRAIL 29'ER, DOUBLE BUTTED 6061 ALLOY, SAVE
FORK	SR SUNTOUR XCT-29, 80MM
WHEELS	ALEX DC4.5 29'ER W/ CANNONDALE C4 HUBS

TIRES	WTB NINE LINE 2.0"
CRANKS	SHIMANO, FC-M131, 42/34/24
DERAILLEURS, R/F	SHIMANO ALTUS / M190

MAGNESIUM WHITE, GLOSS (WHT)

FINE SILVER, MATTE (SLV)

SHIFTERS	SHIMANO ALTUS
BRAKES	TEKTRO NOVELA MECHANICAL DISC, 160/160MM
SIZES	S, M, L, X, J



C13FS2

TRAIL SL 2

FRAME	TRAIL SL, OPTIMIZED 6061 ALLOY, SAVE
FORK	ROCKSHOX RECON SILVER TK 100MM, W/ LOCKOUT
WHEELS	MADDUX DC3.0 W/ FORMULA HUBS

TIRES	SCHWALBE RAPID ROB 2.1"
CRANKS	SRAM S800 3.1, 44/33/22
DERAILLEURS, R/F	SRAM X5 / SRAM X5

MAGNESIUM WHITE, GLOSS (WHT)	
SHIFTERS	SRAM X5
BRAKES	AVID ELIXIR 1 HYDRAULIC DISC, 160/160MM
SIZES	S, M, L, X



C13FS3

TRAIL SL 3

FRAME	TRAIL SL, OPTIMIZED 6061 ALLOY, SAVE
FORK	ROCKSHOX XC 30 TK, COIL, 100MM W/ LOCKOUT
WHEELS	MADDUX DC3.0 W/ CANNONDALE C4 HUBS

TIRES	SCHWALBE RAPID ROB 2.1"
CRANKS	SHIMANO FC-M430-8, 44/32/22
DERAILLEURS, R/F	SHIMANO DEORE / ACERA

JET BLACK, MATTE (BBQ)	
SHIFTERS	SHIMANO ALIVIO
BRAKES	SHIMANO BR-M446 HYDRAULIC DISC, 160/160MM
SIZES	S, M, L, X



C13FS4

TRAIL SL 4

FRAME	TRAIL SL, OPTIMIZED 6061 ALLOY, SAVE
FORK	SR SUNTOUR XCR-LO, COIL, 100MM W/ LOCKOUT
WHEELS	MADDUX DC3.0 W/ CANNONDALE C4 HUBS

TIRES	SCHWALBE RAPID ROB 2.1"
CRANKS	SHIMANO FC-M391-8, 44/32/22
DERAILLEURS, R/F	SHIMANO ALIVIO / ACERA

RACE RED, GLOSS (RED)	
SHIFTERS	SHIMANO ACERA
BRAKES	CANNONDALE HELIX 6 HYDRAULIC DISC, 160/160MM
SIZES	S, M, L, X



C13FT5

TRAIL 5

FRAME	TRAIL, DOUBLE BUTTED 6061 ALLOY, SAVE
FORK	SR SUNTOUR XCM-HLO, 100MM W/ LOCKOUT
WHEELS	ALEX DC4.5 W/ CANNONDALE C4 HUBS

TIRES	KENDA SMALL BLOCK 8, 2.1"
CRANKS	SHIMANO, FC-M311-8, 42/32/22
DERAILLEURS, R/F	SHIMANO ACERA / ALTUS



BERSERKER GREEN, GLOSS (GRN)

JET BLACK, MATTE (BBQ)	
SHIFTERS	SHIMANO ACERA
BRAKES	SHIMANO BR-M375 MECHANICAL DISC, 160/160MM
SIZES	S, M, L, X, J



C13FT6

TRAIL 6

FRAME	TRAIL, DOUBLE BUTTED 6061 ALLOY, SAVE
FORK	SR SUNTOUR XCT, 100MM
WHEELS	ALEX DC4.5 W/ CANNONDALE C4 HUBS

TIRES	KENDA SMALL BLOCK 8, 2.1"
CRANKS	SHIMANO, FC-M131, 42/34/24
DERAILLEURS, R/F	SHIMANO ALTUS / M190



MAGNESIUM WHITE, GLOSS (WHT)

FINE SILVER, GLOSS (SLV)	
SHIFTERS	SHIMANO ALTUS
BRAKES	TEKTRO NOVELA MECHANICAL DISC, 160/160MM
SIZES	S, M, L, X, J



C13FT7

TRAIL 7

FRAME	TRAIL, DOUBLE BUTTED 6061 ALLOY, SAVE
FORK	SR SUNTOUR XCT, 100MM
WHEELS	WEINMANN DC4.5 W/ CANNONDALE C4 HUBS

TIRES	KENDA KADRE, 2.1"
CRANKS	SR SUNTOUR CW13-NEX-T102-PB, 42/34/24
DERAILLEURS, R/F	SHIMANO ALTUS / TX50



RACE RED, GLOSS (RED)

JET BLACK, GLOSS (BLK)	
SHIFTERS	SHIMANO ST-EF51
BRAKES	TEKTRO NOVELA MECHANICAL DISC, 160/160MM
SIZES	S, M, L, X, J

MOUNTAIN SPECIFICATIONS

	CLAYMORE 1	CLAYMORE 2	JEKYLL CARBON 1	JEKYLL CARBON 2	JEKYLL 3
CODE	C13VA1	C13VA2	C13VN1	C13VN2	C13VN3
FRAME	CLAYMORE, 180/110MM, SMARTFORMED ALLOY, BB30, ISCG03, DIABLO 1.5 SI HEAD TUBE	CLAYMORE, 180/110MM, SMARTFORMED ALLOY, BB30, ISCG03, DIABLO 1.5 SI HEAD TUBE	JEKYLL, 150/90MM, BALLISTEC HI-MOD CARBON, BB30, ISCG03, 1.5 SI HEAD TUBE	JEKYLL, 150/90MM, BALLISTEC HI-MOD CARBON, BB30, ISCG03, 1.5 SI HEAD TUBE	JEKYLL, 150/90MM, SMARTFORMED ALLOY, BB30, ISCG03, 1.5 SI HEAD TUBE
FORK	FOX 36 TALAS R, PERFORMANCE, 180MM, 20QR THRU AXLE, 1.5"	FOX 36 VAN R O/B, PERFORMANCE, 180MM, 20QR THRU AXLE, 1.5"	FOX 34 TALAS CTD, FIT, FACTORY, KASHIMA COATED, 160MM, 15QR THRU AXLE, 1.5"	FOX 34 TALAS CTD, O/C, EVOLUTION, 160MM, 15QR THRU AXLE, 1.5"	FOX 32 FLOAT CTD O/C, EVOLUTION, 150MM, 15QR THRU AXLE, 1.5"
REAR SHOCK	FOX DYAD RT2 DUAL SHOCK, 180/110MM, W/ REMOTE LEVER	FOX DYAD RT2 DUAL SHOCK, 180/110MM, W/ REMOTE LEVER	FOX DYAD RT2 DUAL SHOCK, 150/90MM, W/ REMOTE LEVER	FOX DYAD RT2 DUAL SHOCK, 150/90MM, W/ REMOTE LEVER	FOX DYAD RT2 DUAL SHOCK, 150/90MM, W/ REMOTE LEVER
RIMS	SUN RINGLE CHARGER PRO, TUBELESS READY	WTB ST I23 TCS, TUBELESS READY	REYNOLDS CARBON AM, TUBELESS READY	MAVIC CROSSTAIL, TUBELESS READY	SHIMANO MT68, TUBELESS READY
HUBS	SUN RINGLE CHARGER PRO, 20MM FRONT, 142X12MM REAR	FORMULA, 32 HOLE, 20MM THRU AXLE FRONT, 142X12MM REAR	REYNOLDS CARBON AM, 15MM FRONT, 142X12MM REAR	MAVIC CROSSTAIL, 15MM FRONT, 142X12MM REAR	SHIMANO MT68, 15MM FRONT, 142X12MM REAR
SPOKES	SUN RINGLE CHARGER PRO	DT SWISS CHAMPION	REYNOLDS CARBON AM	MAVIC CROSSTAIL	SHIMANO MT68
TIRES	SCHWALBE HANS DAMPF SNAKESKIN TRAILSTAR, 2.35" TUBELESS READY	WTB VIGILANTE TCS, 2.3", TUBELESS READY	SCHWALBE HANS DAMPF SNAKESKIN TRAILSTAR, 2.35" TUBELESS READY	SCHWALBE HANS DAMPF SNAKESKIN TRAILSTAR, 2.35" TUBELESS READY	WTB VIGILANTE 2.3" TCS FRONT, MOTO 2.3" TCS REAR, TUBELESS READY
PEDALS	N/A	N/A	N/A	N/A	N/A
CRANK	SRAM S1400, BB30, 36/22	TRUVATIV HUSSEFELT, 36/24	SRAM S2210, BB30, 36/22	SRAM S2210, BB30, 36/22	SRAM S1400, BB30, 36/22
BOTTOM BRACKET	SRAM BB30	TRUVATIV HOWITZER	SRAM BB30	SRAM BB30	SRAM BB30
CHAIN	KMC X10	KMC X10	KMC X10SL	KMC X10SL	KMC X10
REAR COGS	SRAM PG-1070, 11-36, 10-SPEED	SRAM PG-1030, 11-36, 10-SPEED	SRAM PG-1070, 11-36, 10-SPEED	SRAM PG-1070, 11-36, 10-SPEED	SRAM PG-1030, 11-36, 10-SPEED
FR. DERAILLEUR	SRAM X7, DIRECT MOUNT	SRAM X7, DIRECT MOUNT	SRAM X0, DIRECT MOUNT	SRAM X7, DIRECT MOUNT	SRAM X7, DIRECT MOUNT
REAR DERAILLEUR	SHIMANO XT SHADOW PLUS	SRAM X7	SHIMANO XTR SHADOW PLUS	SRAM X9 TYPE2 RBC	SHIMANO XT SHADOW PLUS
SHIFTERS	SHIMANO XT, W/ I-SPEC	SRAM X7, W/ MATCHMAKER	SHIMANO XT, W/ I-SPEC	SRAM X9	SHIMANO SLX
HANDLEBAR	FSA GRAVITY LITE ALLOY, 740X15MM RISE	CANNONDALE C3 RISER, 740X18MM, 2014 ALLOY	FSA GRAVITY LITE CARBON, 740X15MM RISE	FSA GRAVITY LITE ALLOY, 740X15MM RISE	CANNONDALE C3 RISER, 740X18MM, 2014 ALLOY
GRIPS	CANNONDALE DUAL LOCKING GRIPS	CANNONDALE DUAL LOCKING GRIPS	CANNONDALE DUAL LOCKING GRIPS	CANNONDALE DUAL LOCKING GRIPS	CANNONDALE DUAL LOCKING GRIPS
STEM	FSA GRAVITY LITE, 1.5", 31.8	CANNONDALE C3, 1.5", 31.8	FSA GRAVITY LITE, 1.5", 31.8	CANNONDALE C1, 1.5", 31.8	CANNONDALE C1, 1.5", 31.8
HEADSET	TANGE SEIKI 1.5", SI ANGULAR CONTACT	TANGE SEIKI 1.5", SI ANGULAR CONTACT	TANGE SEIKI 1.5", INTEGRATED	TANGE SEIKI 1.5", INTEGRATED	TANGE SEIKI 1.5", INTEGRATED
BRAKES	SHIMANO XT TRAIL, 203/180MM	AVID ELIXIR 5, 200/180MM	SHIMANO XTR TRAIL, 180/180MM	MAGURA MT4, 180/180MM	MAGURA MT2 W/ BAT, 180/180MM
BRAKE LEVERS	SHIMANO XT TRAIL	AVID ELIXIR 5	SHIMANO XTR TRAIL	MAGURA MT4	MAGURA MT2 W/ BAT
SADDLE	PROLOGO SCRATCH X18	CANNONDALE STAGE 3 CROMO	WTB VOLT NIGRO SL	WTB VOLT NIGRO SL	VTB VOLT SATIN STEEL
SEATPOST	ROCKSHOX REVERB, 31.6X385MM HEIGHT ADJUSTABLE	CANNONDALE C3, 31.6X350MM	ROCKSHOX REVERB, 31.6X385MM HEIGHT ADJUSTABLE	X-FUSION HILO W/ REMOTE	CANNONDALE C2, 31.6X350MM
SIZES	S, M, L	S, M, L	S, M, L, X	S, M, L, X	S, M, L, X
COLOR 1 (CODE)	MAGNESIUM WHITE, GLOSS (WHT)	JET BLACK, GLOSS (BLK)	JET BLACK W/ MAGNESIUM WHITE AND BERSERKER GREEN ACCENTS, GLOSS (BLK)	JET BLACK, W/ NEARLY BLACK AND I LOVE GOLD ACCENTS, MATTE (BBQ)	JET BLACK, MATTE (BBQ)
EXTRAS	HIGH PRESSURE SHOCK PUMP, SYNTACE X-12MM REAR AXLE, MRP 2X GUIDE	HIGH PRESSURE SHOCK PUMP, SYNTACE X-12MM REAR AXLE, MRP 2X GUIDE	HIGH PRESSURE SHOCK PUMP, SYNTACE X-12MM REAR AXLE, MRP 2X GUIDE	HIGH PRESSURE SHOCK PUMP, SYNTACE X-12MM REAR AXLE, MRP 2X GUIDE	HIGH PRESSURE SHOCK PUMP, SYNTACE X-12MM REAR AXLE

	JEKYLL 4	JEKYLL MX	TRIGGER 29'ER 1	TRIGGER 29'ER 2	TRIGGER 29'ER 3
CODE	C13VN4	C13VNX	C13VZ91	C13VZ92	C13VZ93
FRAME	JEKYLL, 150MM, SMARTFORMED ALLOY, BB30, ISCG03, 1.5 SI HEAD TUBE	JEKYLL, 150/90MM, SMARTFORMED ALLOY, BB30, ISCG03, 1.5 SI HEAD TUBE	TRIGGER 29'ER, 130/80MM, SMARTFORMED ALLOY, BB30, ISCG03, 1.5 SI HEAD TUBE	TRIGGER 29'ER, 130/80MM, SMARTFORMED ALLOY, BB30, ISCG03, 1.5 SI HEAD TUBE	TRIGGER 29'ER, 130/80MM, SMARTFORMED ALLOY, BB30, ISCG03, 1.5 SI HEAD TUBE
FORK	ROCKSHOX SEKTOR TK DPC, 150MM, 15QR THRU AXLE, 1.5"	FOX 36 FLOAT R, O/C, PERFORMANCE, 160MM, 20QR THRU AXLE, 1.5"	SUPERMAX PBR 130 29, W/ HYBRID NEEDLE BEARING TECHNOLOGY	FOX 34 FLOAT 29 FIT CTD, PERFORMANCE, 130MM, 15QR THRU AXLE, 1.5"	ROCKSHOX REVELATION RL 29, 130MM, 15QR THRU AXLE, 1.5"
REAR SHOCK	X-FUSION P1-RL 150MM, W/ REMOTE LEVER	FOX DYAD RT2 DUAL SHOCK, 150/90MM, W/ REMOTE LEVER	FOX DYAD RT2 DUAL SHOCK, 130/80MM, W/ REMOTE LEVER	FOX DYAD RT2 DUAL SHOCK, 130/80MM, W/ REMOTE LEVER	X-FUSION P1-RL 130MM, W/ REMOTE LEVER
RIMS	WTB ST I19 TCS, TUBELESS READY	WTB STRYKER TCS I23, TUBELESS READY	STAN'S ZTR CREST 29'ER, 32 HOLE, TUBELESS READY	WTB FREQUENCY RACE I23 29'ER TCS, 32 HOLE, TUBELESS READY	WTB ST I23 29'ER TCS, 32 HOLE, TUBELESS READY
HUBS	FORMULA, 32 HOLE, 15MM THRU AXLE FRONT, 142X12MM REAR	WTB STRYKER TCS I23, 20MM FRONT, 142X12MM REAR	LEFTY SL FRONT, SHIMANO FH1-788 142X12MM REAR	FORMULA, 32 HOLE, 15MM THRU AXLE FRONT, 142X12MM REAR	FORMULA, 32 HOLE, 15MM THRU AXLE FRONT, 142X12MM REAR
SPOKES	DT SWISS COMPETITION	WTB STRYKER TCS I23	DT SWISS COMPETITION	DT SWISS CHAMPION	DT SWISS CHAMPION
TIRES	WTB VIGILANTE 2.3" TCS FRONT, MOTO 2.3" TCS REAR, TUBELESS READY	WTB VIGILANTE 2.3" TCS FRONT, MOTO 2.3" TCS REAR, TUBELESS READY	SCHWALBE HANS DAMPF SNAKESKIN, 29X2.35", FOLDING	SCHWALBE HANS DAMPF SNAKESKIN, 29X2.35", FOLDING	WTB VIGILANTE TCS, 29X2.25"
PEDALS	N/A	N/A	N/A	N/A	N/A
CRANK	SRAM S1000, BB30, 44/33/22	SRAM S1400, BB30, 36/22	SRAM S1400, BB30, 36/22 W/ GUARD	SRAM S1000, BB30, 36/22 W/ GUARD	SRAM S1000, BB30, 36/22 W/ GUARD
BOTTOM BRACKET	SRAM BB30	SRAM BB30	SRAM BB30	SRAM BB30	SRAM BB30
CHAIN	KMC X10	KMC X10SL	KMC X10, 10-SPEED	KMC X10, 10-SPEED	KMC X10, 10-SPEED
REAR COGS	SRAM PG-1030, 11-36, 10-SPEED	SHIMANO M771, 11-36, 10-SPEED	SRAM PG-1070, 11-36, 10-SPEED	SRAM PG 1030, 11-36, 10-SPEED	SRAM PG 1030, 11-36, 10-SPEED
FR. DERAILLEUR	SRAM X7, DIRECT MOUNT	SRAM X7, DIRECT MOUNT	SRAM X7, DIRECT MOUNT	SRAM X7, DIRECT MOUNT	SRAM X7, DIRECT MOUNT
REAR DERAILLEUR	SRAM X7	SHIMANO XT SHADOW PLUS	SHIMANO XT SHADOW PLUS	SRAM X9 TYPE2 RBC	SHIMANO XT
SHIFTERS	SHIMANO X5, 3X10-SPEED	SHIMANO XT, W/ I-SPEC	SHIMANO XT, W/ I-SPEC	SRAM X7, W/ MAGURA SHIFTMIX	SHIMANO SLX
HANDLEBAR	CANNONDALE C3 RISER, 740X18MM, 2014 ALLOY	CANNONDALE C3 RISER, 740X18MM, 2014 ALLOY	FSA GRAVITY LITE ALLOY, 740X15MM RISE	CANNONDALE C2 RISER, 700X20MM, 2014 ALLOY	CANNONDALE C3 RISER, 700X20MM, 6061 ALLOY
GRIPS	CANNONDALE DUAL LOCKING GRIPS	CANNONDALE DUAL LOCKING GRIPS	CANNONDALE D3 DUAL LOCK ON	CANNONDALE D3 DUAL LOCK ON	CANNONDALE D3 DUAL LOCK ON
STEM	CANNONDALE C4, 1.5", 31.8	CANNONDALE C1, 1.5", 31.8	FSA GRAVITY LITE, 1.5", 31.8	CANNONDALE C3, 1.5", 31.8	CANNONDALE C4, 1.5", 31.8
HEADSET	TANGE SEIKI 1.5", INTEGRATED	TANGE SEIKI 1.5", INTEGRATED	CANNONDALE HEADSHOK SI	TANGE SEIKI 1.5", INTEGRATED	TANGE SEIKI 1.5", INTEGRATED
BRAKES	MAGURA MT2, 180/180MM	SHIMANO XT TRAIL, 180/180MM	SHIMANO XT TRAIL, 180/180MM	MAGURA MT2 W/ BAT, 180/180MM	MAGURA MT2, 180/180MM
BRAKE LEVERS	MAGURA MT2	SHIMANO XT TRAIL	MAGURA MT2 TRAIL	MAGURA MT2 W/ BAT	MAGURA MT2
SADDLE	CANNONDALE STAGE 3 CROMO	WTB VOLT CROMO	WTB VOLT CROMO	WTB VOLT SATIN STEEL	CANNONDALE STAGE 2
SEATPOST	CANNONDALE C2, 31.6X350MM	ROCKSHOX REVERB, 31.6X385MM HEIGHT ADJUSTABLE	X-FUSION HILO W/ REMOTE	CANNONDALE C2, 31.6X350MM	CANNONDALE C2, 31.6X350MM
SIZES	S, M, L, X	S, M, L, X	S, M, L, X	S, M, L, X	S, M, L, X
COLOR 1 (CODE)	MAGNESIUM WHITE, GLOSS (WHT)	JET BLACK, GLOSS (BLK)	JET BLACK, GLOSS (BLK)	JET BLACK, MATTE (BBQ)	MAGNESIUM WHITE W/ JET BLACK AND ULTRA BLUE ACCENTS, GLOSS (BLU)
EXTRAS	HIGH PRESSURE SHOCK PUMP, SYNTACE X-12MM REAR AXLE	HIGH PRESSURE SHOCK PUMP, SYNTACE X-12MM REAR AXLE, MRP 2X GUIDE	HIGH PRESSURE SHOCK PUMP, SYNTACE X-12MM REAR AXLE	HIGH PRESSURE SHOCK PUMP, SYNTACE X-12MM REAR AXLE	HIGH PRESSURE SHOCK PUMP, SYNTACE X-12MM REAR AXLE

MOUNTAIN SPECIFICATIONS

	TRIGGER 1	TRIGGER 2	SCALPEL 29'ER CARBON ULTIMATE	SCALPEL 29'ER CARBON 1	SCALPEL 29'ER CARBON 2
CODE	C13VM1	C13VM2	C13VP90	C13VP91	C13VP92
FRAME	TRIGGER, 120/70MM, BALLISTEC HI-MOD CARBON, BB30, 1.5 SI HEAD TUBE	TRIGGER, 120MM, BALLISTEC HI-MOD CARBON, BB30, 1.5 SI HEAD TUBE	SCALPEL 29'ER, 100MM, BALLISTEC HI-MOD CARBON, ZERO PIVOT SEATSTAY, BB30, 1.5 SI HEAD TUBE	SCALPEL 29'ER, 100MM, BALLISTEC HI-MOD CARBON, ZERO PIVOT SEATSTAY, BB30, 1.5 SI HEAD TUBE	SCALPEL 29'ER, 100MM, BALLISTEC HI-MOD CARBON, ZERO PIVOT SEATSTAY, BB30, 1.5 SI HEAD TUBE
FORK	LEFTY CARBON XLR 130 26, HYBRID NEEDLE BEARING TECHNOLOGY	LEFTY PBR 130 26, HYBRID NEEDLE BEARING TECHNOLOGY	LEFTY CARBON XLR 100 29, HYBRID NEEDLE BEARING TECHNOLOGY	LEFTY CARBON XLR 100 29, HYBRID NEEDLE BEARING TECHNOLOGY	LEFTY XLR 100 29, HYBRID NEEDLE BEARING TECHNOLOGY
REAR SHOCK	FOX DYAD RT2 DUAL SHOCK, 120/70MM, W/ REMOTE LEVER	X-FUSION P1-RL 120MM, W/ REMOTE LEVER	FOX FACTORY CTD W/ BOOST VALVE, KASHIMA COATING	SRAM XX SHOCK W/ X-LOC REMOTE LOCKOUT	ROCKSHOX MONARCH RT3
RIMS	REYNOLDS AM CARBON, TUBELESS READY	MAVIC CROSSTAIL, TUBELESS READY	ENVE CARBON, TUBELESS READY	REYNOLDS CARBON 29'ER, TUBELESS READY	STAN'S ZTR ARCH EX 29'ER, 32 HOLE, TUBELESS READY
HUBS	REYNOLDS CARBON AM, LEFTY FRONT, 135X9MM REAR	MAVIC CROSSTAIL, LEFTY FRONT, 135X9MM REAR	LEFTY SL FRONT, DT SWISS 240S 142X12MM REAR	REYNOLDS LEFTY, REYNOLDS 142X12MM REAR	LEFTY SI FRONT, SUNRINGLE DIRTY FLEA REAR 142X12MM REAR
SPOKES	REYNOLDS CARBON AM	MAVIC CROSSTAIL	DT SWISS AEROLITE	REYNOLDS	DT SWISS SUPER COMP
TIRES	SCHWALBE RACING RALPH EVO, 2.25" TUBELESS READY	SCHWALBE RACING RALPH PERFORMANCE, 2.25"	SCHWALBE RACING RALPH EVO, 29X2.1" EVO TUBELESS READY	SCHWALBE RACING RALPH, 29X2.1" EVO, FOLDING	SCHWALBE RACING RALPH, 29X2.1" EVO, FOLDING
PEDALS	N/A	N/A	NA	NA	NA
CRANK	SRAM S2210, BB30, 38/24 W/ GUARD	SRAM S1400, BB30, 38/24 W/ GUARD	CANNONDALE HOLLOWGRAM SL, 39/26	SRAM X0, BB30, 38/24	SRAM S2210, BB30, 38/24
BOTTOM BRACKET	SRAM BB30	SRAM BB30	CANNONDALE SI PRESSFIT BB30	SRAM PRESS FIT BB30	SRAM PRESS FIT BB30
CHAIN	KMC X10SL	KMC X10	KMC X10SL	KMC X10SL	KMC X10
REAR COGS	SRAM PG-1070, 11-36, 10-SPEED	SRAM PG-1070, 11-36, 10-SPEED	SHIMANO CS-M980, 11-36, 10-SPEED	SRAM PG-1070, 11-36, 10-SPEED	SRAM PG-1070, 11-36, 10-SPEED
FR. DERAILLEUR	SRAM X0, DIRECT MOUNT	SRAM X7, DIRECT MOUNT	SRAM XX, S3	SRAM, X0, S3	SRAM, X9, S3
REAR DERAILLEUR	SHIMANO XTR SHADOW PLUS	SRAM X9 TYPE2 RBC	SHIMANO XTR	SRAM, X0	SHIMANO XTR
SHIFTERS	SHIMANO XT, W/ I-SPEC	SRAM X9 W/ MAGURA SHIFTMIX	SHIMANO XTR	SRAM, X0	SHIMANO XT
HANDLEBAR	TRUVATIV NOIR T30 RISER, 720X25MM, CARBON	CANNONDALE C2 RISER, 700X20MM, 2014 ALLOY	ENVE, FLAT, 700MM	TRUVATIV NOIR FLAT, 700X10MM	TRUVATIV NOIR FLAT, 700X10MM
GRIPS	CANNONDALE DUAL LOCKING GRIPS	CANNONDALE DUAL LOCKING GRIPS	CANNONDALE LOCKING GRIPS	CANNONDALE DUAL-DENSITY GRIP	CANNONDALE DUAL-DENSITY GRIP
STEM	CANNONDALE OPI ADJUSTABLE, +6 DEGREE, 31.8	CANNONDALE OPI ADJUSTABLE, +6 DEGREE, 31.8	CANNONDALE OPI ADJUSTABLE, -15 DEGREE, 31.8	CANNONDALE OPI ADJUSTABLE, -15 DEGREE, 31.8	CANNONDALE OPI ADJUSTABLE, -15 DEGREE, 31.8
HEADSET	CANNONDALE HEADSHOK SI	CANNONDALE HEADSHOK SI	CANNONDALE HEADSHOK SI	CANNONDALE HEADSHOK SI	CANNONDALE HEADSHOK SI
BRAKES	SHIMANO XTR TRAIL, 180/160MM	MAGURA MT2 W/ BAT, 180/160MM	MAGURA MT8 160/160MM	AVID X0 CARBON 180 / 160MM	AVID ELIXIR 9 CARBON, 180/160MM
BRAKE LEVERS	SHIMANO XTR TRAIL	MAGURA MT2 W/ BAT	MAGURA CARBON	AVID X0 CARBON	AVID ELIXIR 9 CARBON
SADDLE	PROLOGO X8 PRO T1.4	PROLOGO X8 PRO T1.4	PROLOGO SCRATCH X8 CBN RAIL	PROLOGO SCRATCH X8 PRO	PROLOGO X8
SEATPOST	FI'ZI-K CYRANO, 31.6X400MM	CANNONDALE C2, 31.6X400MM	FI'ZI-K CYRANO, 31.6X400MM	FI'ZI-K CYRANO, 31.6X400MM	FI'ZI-K CYRANO, 31.6X400MM
SIZES	S, M, L, X	S, M, L, X	S, M, L, X	S, M, L, X	S, M, L, X
COLOR 1 (CODE)	EXPOSED CARBON W/ MAGNESIUM WHITE AND BERSERKER GREEN ACCENTS, GLOSS (BLK)	MAGNESIUM WHITE W/ JET BLACK AND ULTRA BLUE ACCENTS, GLOSS (BLU)	EXPOSED CARBON W/ MAGNESIUM WHITE, MATTE (BBQ)	EXPOSED CARBON W/ MAGNESIUM WHITE AND ULTRA BLUE, GLOSS (BLK)	EXPOSED CARBON W/ MAGNESIUM WHITE AND BERSERKER GREEN ACCENTS, GLOSS (GRN)
COLOR 2 (CODE)	N/A	N/A	NA	EXPOSED CARBON W/ CHARCOAL GREY, FINE SILVER, MATTE (BBQ)	NA
EXTRAS	HIGH PRESSURE SHOCK PUMP	HIGH PRESSURE SHOCK PUMP	SINGLE RING CONVERSION KIT (MRP 36T RING & MRP SINGLE GUIDE) INCLUDED	NA	N/A

	SCALPEL 29'ER 3	SCALPEL 29'ER 4	RZ ONE TWENTY 1	RZ ONE TWENTY 2	F29 CARBON HI-MOD ULTIMATE
CODE	C13VP93	C13VP94	C13VL1	C13VL2	C13FS290S
FRAME	SCALPEL 29'ER, 100MM, SMARTFORMED ALLOY, BB30, 1.5 SI HEAD TUBE	SCALPEL 29'ER, 100MM, SMARTFORMED ALLOY, BB30, 1.5 SI HEAD TUBE	RZ ONE TWENTY, 120MM SMARTFORMED ALLOY, BB30, 1.5 SI HEAD TUBE	RZ ONE TWENTY, 120MM SMARTFORMED ALLOY, BB30, 1.5 SI HEAD TUBE	F29, BALLISTEC HI-MOD CARBON, SPEED SAVE, BB30, 1.5 SI HEAD TUBE
FORK	LEFTY PBR 100 29, HYBRID NEEDLE BEARING TECHNOLOGY	ROCKSHOX RECON GOLD TK 29, 80MM, SOLO AIR, LOCKOUT, REBOUND, 1.5"	ROCKSHOX RECON GOLD TK, 120MM, SOLO AIR, TURN KEY LOCKOUT, REBOUND, 1.5"	X-FUSION VELVET RL, 120MM, LOCKOUT, REBOUND, 1.5"	LEFTY CARBON XLR 90 29, HYBRID NEEDLE BEARING TECHNOLOGY
REAR SHOCK	FOX, PERFORMANCE, CTD	X-FUSION E1 RL	ROCKSHOX MONARCH RL 120MM	X-FUSION E1 RL 120MM	N/A
RIMS	WTB ST I19, TCS, 32 HOLE, TUBELESS READY	SUN RINGLE INFERNO25, WELDED, W/ EYELET, 32 HOLE	MADDUX DC3.0, DOUBLE WALL W/ EYELET	MADDUX DC3.0, DOUBLE WALL W/ EYELET	ENVE CARBON, TUBELESS READY
HUBS	LEFTY SL FRONT, FORMULA DHL-142 142X12MM REAR	FORMULA 15MM FRONT, 142X12MM REAR	FORMULA DC20 FRONT, DC22 135X9MM REAR	FORMULA DC20 FRONT, DC22 135X9MM REAR	LEFTY SL FRONT, DT SWISS 240S 142X12MM REAR
SPOKES	DT SWISS SUPER COMP	DT SWISS	DT SWISS COMPETITION	DT SWISS CHAMPION	DT SWISS AEROLITE
TIRES	SCHWALBE RACING RALPH PERFORMANCE, 29X2.1", FOLDING	KENDA SMALL BLOCK 8, 2.1" FOLDING	SCHWALBE RAPID ROB 26X2.25"	SCHWALBE RAPID ROB 26X2.25"	SCHWALBE RACING RALPH EVO, 29X2.1" EVO TUBELESS READY
PEDALS	NA	NA	N/A	N/A	N/A
CRANK	SRAM S1000, BB30, 38/24	FSA COMET, BB30, 42/32/24	SRAM S800 3.2, 44/32/22	SHIMANO M552 42/32/24	CANNONDALE HOLLOWGRAM SL, 39/26
BOTTOM BRACKET	SRAM BB30	FSA BB30	TRUVATIV POWERSPLINE	SHIMANO OCTALINK W/ BB30 ADAPTER	CANNONDALE SI BB30 INCLUDED
CHAIN	KMC X10	KMC X10	KMC X10	KMC X10	KMC X10SL
REAR COGS	SRAM PG-1030, 11-36, 10-SPEED	SHIMANO HG-62, 11-36, 10-SPEED	SRAM PG-1030, 11-36, 10-SPEED	SRAM PG-1030, 11-36, 10-SPEED	SRAM XX, 11-36, 10-SPEED
FR. DERAILLEUR	SRAM, X7, S3	SHIMANO SLX, E-TYPE	SRAM X5, 34.9 HIGH CLAMP	SHIMANO DEORE, 34.9 DOWN SWING	SRAM XX S3
REAR DERAILLEUR	SRAM, X9	SHIMANO XT	SRAM X7, 10-SPEED	SHIMANO SLX, 10-SPEED	SRAM XX, 10-SPEED
SHIFTERS	SRAM X7	SHIMANO DEORE	SRAM X5	SHIMANO DEORE W/ GEAR DISPLAY	SRAM XX
HANDLEBAR	CANNONDALE C2 FLAT, 680X3MM, 2014 ALLOY	C			

MOUNTAIN SPECIFICATIONS

	F29 CARBON HI-MOD 1	F29 CARBON 2	F29 CARBON 3	F29 1	F29 2
CODE	C13FS291S	C13FS292S	C13FS293S	C13FA291	C13FA292
FRAME	F29, BALLISTEC HI-MOD CARBON, SPEED SAVE, BB30, 1.5 SI HEAD TUBE	F29, BALLISTEC CARBON, SPEED SAVE, BB30, 1.5 SI HEAD TUBE	F29, BALLISTEC CARBON, SPEED SAVE, BB30, 1.5 SI HEAD TUBE	F29, SMARTFORMED ALLOY, SPEED SAVE, BB30, 1.5 SI HEAD TUBE	F29, SMARTFORMED ALLOY, SPEED SAVE, BB30, 1.5 SI HEAD TUBE
FORK	LEFTY CARBON XLR 90 29, HYBRID NEEDLE BEARING TECHNOLOGY	LEFTY XLR 90 29, HYBRID NEEDLE BEARING TECHNOLOGY	LEFTY PBR 90 29, HYBRID NEEDLE BEARING TECHNOLOGY	LEFTY PBR 90 29, HYBRID NEEDLE BEARING TECHNOLOGY	LEFTY PBR 90 29, HYBRID NEEDLE BEARING TECHNOLOGY
RIMS	REYNOLDS CARBON 29"ER WHEELSET, TUBELESS READY	NOTUBES ZTR ARCH EX 29"ER, 32-HOLE, TUBELESS READY	WTB FREQUENCY RACE I19, TCS, 32-HOLE	WTB ST I19, WELDED, EYELET, 32 HOLE, TUBELESS READY	WTB FREQUENCY RACE I19, WELDED, EYELET, 32 HOLE, TUBELESS READY
HUBS	REYNOLDS LEFTY FRONT, 135X9MM REAR	LEFTY SL FRONT, SUN RINGLE DIRTY FLEA REAR	LEFTY SL FRONT, SHIMANO FH-M525, REAR	LEFTY SL FRONT, SRAM X9, REAR	LEFTY SL FRONT, SHIMANO FH-M525, REAR
SPOKES	REYNOLDS	DT SWISS AEROSPEED	DT SWISS COMPETITION	DT SWISS COMPETITION	DT SWISS COMPETITION
TIRES	SCHWALBE RACING RALPH EVO, 29X2.1" EVO TUBELESS READY	SCHWALBE RACING RALPH EVO, 29X2.1" EVO TUBELESS READY	SCHWALBE RACING RALPH PERFORMANCE, 29X2.1" EVO TUBELESS READY	SCHAWLBE RAPID ROB, 29X2.5"	WTB NINE LINE 29X2.0" TCS
PEDALS	N/A	N/A	N/A	N/A	N/A
CRANK	SRAM S2210, BB30, 38/24	SRAM S2210, BB30, 38/24	SRAM S1000, BB30, 38/24	SRAM S1400, BB30, 38/24	SHIMANO M552, 42/32/24
BOTTOM BRACKET	SRAM BB30	SRAM BB30	SRAM BB30	SRAM BB30	SHIMANO OCTALINK W/ BB30 ADAPTER
CHAIN	KMC X10SL	KMC X10	KMC X10	KMC X10	KMC X10
REAR COGS	SRAM PG-1070, 11-36, 10-SPEED	SRAM PG-1070, 11-36, 10-SPEED	SRAM PG-1030, 11-36, 10-SPEED	SRAM PG 1030, 11-36, 10-SPEED	SHIMANO HG62, 11-36, 10-SPEED
FR. DERAILLEUR	SRAM XO, S3	SRAM X7, S3	SRAM X7, S3	SRAM X7, 31.6 CLAMP	SHIMANO DEORE 31.8 CHAMP
REAR DERAILLEUR	SHIMANO XTR, SHADOW PLUS, 10-SPEED	SRAM XO, 10-SPEED	SHIMANO XT, 10-SPEED	SRAM X9, 10-SPEED	SHIMANO XT, 10-SPEED
SHIFTERS	SHIMANO XTR	SRAM X9, MATCH MAKER	SHIMANO SLX	SRAM X9	SHIMANO SLX
HANDLEBAR	TRUVATIV NOIR CARBON, T30 FLAT, 700X10MM	TRUVATIV NOIR CARBON, T30 FLAT, 700X10MM	CANNONDALE C2, 680X10, 2014 DOUBLE-BUTTED ALLOY	CANNONDALE C2, 680X10, 2014 DOUBLE-BUTTED ALLOY	CANNONDALE C3, 700X15MM, 6061 DOUBLE-BUTTED ALLOY
GRIPS	CANNONDALE FOAM LOCKING GRIPS	CANNONDALE FOAM LOCKING GRIPS	CANNONDALE LOCKING GRIPS	CANNONDALE DUAL-DENSITY GRIP	CANNONDALE DUAL-DENSITY GRIP
STEM	CANNONDALE OPI ADJUSTABLE, 31.8, -15 DEGREE (M-L), -5 DEGREE (X)	CANNONDALE OPI ADJUSTABLE, 31.8, -15 DEGREE (M-L), -5 DEGREE (X)	CANNONDALE OPI ADJUSTABLE, 31.8, -15 DEGREE (M-L), -5 DEGREE (X)	CANNONDALE C3 HEADSHOK, 31.8, -5 DEGREE	CANNONDALE C3 HEADSHOK, 31.8, -5 DEGREE
HEADSET	CANNONDALE HEADSHOK SI	CANNONDALE HEADSHOK SI	CANNONDALE HEADSHOK SI	CANNONDALE HEADSHOK SI	CANNONDALE HEADSHOK SI
BRAKES	SRAM XO, 180/160MM	AVID ELIXIR 9, 180/160MM	AVID ELIXIR 7, 180/160MM	AVID ELIXIR 7, 180/160MM	MAGURA MT2, 180/160MM
BRAKE LEVERS	SRAM XO	AVID ELIXIR 9	AVID ELIXIR 7	AVID ELIXIR	MAGURA MT2
SADDLE	FI'ZI:K TUNDRA KM KI-UM RAIL	FI'ZI:K TUNDRA2 MG, MANGANESE RAIL	FI'ZI:K TUNDRA 2	CANNONDALE STAGE 3	CANNONDALE STAGE 3
SEATPOST	CANNONDALE SAVE POST, 27.2X420MM	CANNONDALE SAVE POST, 27.2X420MM	CANNONDALE C2, 27.2MMX400MM	CANNONDALE C2, 27.2MMX400MM	CANNONDALE C2, 27.2MMX400MM
SIZES	M, L, X	M, L, X	M, L, X	S, M, L, XL	S, M, L, XL
COLOR 1 (CODE)	MAGNESIUM WHITE W/ RACE RED AND ULTRA BLUE ACCENTS, GLOSS (RED)	MAGNESIUM WHITE W/ CHARCOAL GREY AND RUBY RED ACCENTS, GLOSS (GRY)	EXPOSED CARBON W/ MAGNESIUM WHITE AND BERSERKER GREEN ACCENTS, GLOSS (WHT)	MAGNESIUM WHITE, GLOSS (WHT)	JET BLACK, MATTE (BBQ)
COLOR 2 (CODE)	N/A	N/A	N/A	N/A	N/A

	TRAIL SL 29"ER 1	TRAIL SL 29"ER 2	TRAIL SL 29"ER 3 SS	TRAIL SL 29"ER 4	TRAIL 29"ER 5
CODE	C13FS291	C13FS292	C13FS293R	C13FS294	C13FT295
FRAME	TRAIL SL 29"ER, OPTIMIZED 6061 ALLOY, SAVE, 1.5" HEAD TUBE	TRAIL SL 29"ER, OPTIMIZED 6061 ALLOY, SAVE, 1.5" HEAD TUBE	TRAIL SL 29"ER SS, OPTIMIZED 6061 ALLOY, SAVE, 1.5" HEAD TUBE	TRAIL SL 29"ER, OPTIMIZED 6061 ALLOY, SAVE, 1.5" HEAD TUBE	TRAIL 29"ER, DOUBLE BUTTED 6061 ALLOY, SAVE, 1-1/8" HEAD TUBE
FORK	ROCKSHOX RECON GOLD TK 29, 80MM, SOLO AIR, LOCKOUT, REBOUND, 1.5"	ROCKSHOX RECON SILVER TK 29, 80MM, SOLO AIR, LOCKOUT, REBOUND, 1.5"	CANNONDALE FATTY RIGID 29"ER	SR SUNTOUR XCR-LO-29, 80MM, LOCKOUT, 1.5" ALLOY STEERER	SR SUNTOUR XCM-V3-HLO 29, 80MM, COIL SPRING W/ HYDRAULIC LOCK OUT, 1-1/8"
RIMS	MADDUX DC3.0 29"ER, DOUBLE WALL W/ EYELET, 32 HOLE	MADDUX DC3.0 29"ER, DOUBLE WALL W/ EYELET, 32 HOLE	MADDUX DC3.0 29"ER, DOUBLE WALL W/ EYELET, 32 HOLE	MADDUX DC3.0 29"ER, DOUBLE WALL W/ EYELET, 32 HOLE	ALEX DC4.5, DOUBLE WALL, 32 HOLE
HUBS	SHIMANO HB-RM66 FRONT, FH-RM66 REAR, CENTER LOCK	FORMULA CDH20 FRONT, FORMULA CDH22 REAR	FORMULA DC20 FRONT, FORMULA DC32 REAR	CANNONDALE C4 FRONT AND REAR	CANNONDALE C4, FRONT AND REAR
SPOKES	STAINLESS STEEL, 15G BLACK	STAINLESS STEEL, 15G BLACK	STAINLESS STEEL, 15G BLACK	STAINLESS STEEL, 15G BLACK	STAINLESS STEEL, 14G
TIRES	WTB NINELINE, 29X2.0"	WTB NINELINE, 29X2.0"	WTB NINELINE, 29X2.0"	WTB NINELINE, 29X2.0"	WTB NINELINE, 29X2.0"
PEDALS	FPD PLATFORM	FPD PLATFORM	FPD PLATFORM	FPD PLATFORM	FPD PLATFORM
CRANK	FSR COMET, 42/32/24	SRAM S800 3.1, 44/33/22	TRUVATIV E-400 1.0G SS, 33T	SHIMANO FC-M391-8, 44/32/22	SHIMANO FC-M311-8, 42/32/22
BOTTOM BRACKET	INCLUDED	SRAM POWERSPLINE W/ ALLOY CUPS	TANGE SEIKI LN-3912	SHIMANO BB-ES25, OCTALINK	SHIMANO ES-25 OCTALINK
CHAIN	FSA CN910	KMC X10	KMC Z-610H, SS	SHIMANO HG53	KMC X8
REAR COGS	SHIMANO HG62-10, 11-36, 10-SPEED	SRAM PG 1030, 11-36, 10-SPEED	FORMULA 20T	SUNRACE M96, 11-34, 9-SPEED	SHIMANO HG31-8, 11-32, 8-SPEED
FR. DERAILLEUR	SHIMANO DEORE, 31.8 CLAMP	SRAM X5, 31.8 CLAMP	N/A	SHIMANO ACERA, 31.8 CLAMP	SHIMANO FD-M310, 34.9 CLAMP
REAR DERAILLEUR	SHIMANO XT, SHADOW DESIGN, 10-SPEED	SRAM X5, 10-SPEED	N/A	SHIMANO ALIVIO	SHIMANO ACERA
SHIFTERS	SHIMANO DEORE W/ GEAR DISPLAY	SRAM X5	N/A	SHIMANO ACERA W/ GEAR DISPLAY	SHIMANO ACERA, W/ GEAR DISPLAY
HANDLEBAR	CANNONDALE C3, 680X20, 6061 DOUBLE-BUTTED ALLOY	CANNONDALE C3, 680X20, 6061 DOUBLE-BUTTED ALLOY	CANNONDALE C3, 680X20, 6061 DOUBLE-BUTTED ALLOY	CANNONDALE C3, 680X20, 6061 DOUBLE-BUTTED ALLOY	CANNONDALE C4, 660X30MM, 6061 ALLOY
GRIPS	CANNONDALE LOCKING GRIPS	CANNONDALE LOCKING GRIPS	CANNONDALE DUAL-DENSITY GRIP	CANNONDALE DUAL-DENSITY GRIP	CANNONDALE DUAL-DENSITY GRIP
STEM	CANNONDALE C4, 1.5", 31.8, 7 DEGREE	CANNONDALE C4, 1.5", 31.8, 7 DEGREE	CANNONDALE C4, 1.5", 31.8, 7 DEGREE	CANNONDALE C4, 1.5", 31.8, 7 DEGREE	CANNONDALE C4, 1-1/8", 31.8, 7 DEGREE
HEADSET	TANGE CUSTOM 1.5"	TANGE CUSTOM 1.5"	TANGE CUSTOM 1.5"	TANGE CUSTOM 1.5"	TANGE SEIKI ER2 SLIM STACK
BRAKES	SHIMANO BR-M505, 180/160MM	AVID ELIXIR 1, 180/160MM	SHIMANO BR-M375 MECHANICAL DISC, 180/160MM	CANNONDALE HELIX 6 HYDRAULIC DISC, 180/160MM	SHIMANO BR-M375 MECHANICAL DISC, 160/160MM
BRAKE LEVERS	SHIMANO BR-M505	AVID ELIXIR 1	CANNONDALE	CANNONDALE HELIX 6 HYDRAULIC DISC	CANNONDALE
SADDLE	CANNONDALE STAGE 3	CANNONDALE STAGE 3	CANNONDALE STAGE 3	CANNONDALE STAGE 3	CANNONDALE STAGE 3
SEATPOST	CANNONDALE C3, 27.2X350MM (S, M), 400MM (L, X, J)	CANNONDALE C3, 27.2X350MM (S, M), 400MM (L, X, J)	CANNONDALE C3, 27.2X350MM (S, M), 400MM (L, X, J)	CANNONDALE C3, 27.2X350MM (S, M), 400MM (L, X, J)	CANNONDALE C4, 31.6X350MM (S, M), 400MM (L, X, J)
SIZES	S, M, L, X, J	S, M, L, X, J	S, M, L, X, J	S, M, L, X, J	S, M, L, X, J
COLOR 1 (CODE)	MAGNESIUM WHITE, GLOSS (WHT)	ULTRA BLUE, GLOSS (BLU)	40 BLUE, GLOSS (BLU)	SOLDIER OF FORTUNE, MATTE (GRN)	BERSERKER GREEN, GLOSS (GRN)
COLOR 2 (CODE)	JET BLACK, MATTE (BBQ)	JET BLACK, GLOSS (BLK)	N/A	JET BLACK, MATTE (BBQ)	JET BLACK, GLOSS (BLK)

Specifications subject to change without notice.

MOUNTAIN SPECIFICATIONS

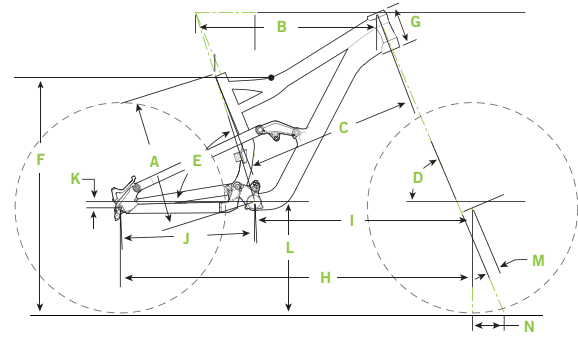
	TRAIL 29"ER 6	TRAIL SL 2	TRAIL SL 3	TRAIL SL 4	TRAIL 5
CODE	C13FT296	C13FS2	C13FS3	C13FS4	C13 FT5
FRAME	TRAIL 29"ER, DOUBLE BUTTED 6061 ALLOY, SAVE, 1-1/8" HEAD TUBE	TRAIL SL, OPTIMIZED 6061 ALLOY, SAVE, 1.5" HEAD TUBE	TRAIL SL, OPTIMIZED 6061 ALLOY, SAVE, 1.5" HEAD TUBE	TRAIL SL, OPTIMIZED 6061 ALLOY, SAVE, 1.5" HEAD TUBE	TRAIL, DOUBLE BUTTED 6061 ALLOY, SAVE, 1-1/8" HEAD TUBE
FORK	SR SUNTOUR XCT-80-29, 80MM, COIL SPRING, 1-1/8"	ROCKSHOX RECON SILVER TK 100MM, SOLO AIR, LOCKOUT, REBOUND, 1.5"	ROCKSHOX XC 30 TK, COIL, 100MM, LOCKOUT, 1.5"	SR SUNTOUR XCR-LO, COIL, 100MM, LOCKOUT, 1-1/8"	SR SUNTOUR XCM-HLO, 100MM, COIL SPRING W/ HYDRAULIC LOCK OUT, 1-1/8"
RIMS	ALEX DC4.5, DOUBLE WALL, 32 HOLE	MADDUX DC3.0 DOUBLE WALL W/ EYELET, 28 HOLE FRONT, 32 HOLE REAR	MADDUX DC3.0 DOUBLE WALL W/ EYELET, 28 HOLE FRONT, 32 HOLE REAR	MADDUX DC3.0 DOUBLE WALL W/ EYELET, 28 HOLE FRONT, 32 HOLE REAR	ALEX DC4.5, DOUBLE WALL, 32 HOLE
HUBS	CANNONDALE C4, FRONT AND REAR	FORMULA DC20 FRONT, DC22 REAR	CANNONDALE C4 FRONT AND REAR	CANNONDALE C4 FRONT AND REAR	CANNONDALE C4, FRONT AND REAR
SPOKES	STAINLESS STEEL, 14G	STAINLESS STEEL, 15G BLACK	STAINLESS STEEL, 15G BLACK	STAINLESS STEEL, 15G BLACK	STAINLESS STEEL, 14G
TIRES	WTB NINELINE, 29X2.0"	SCHWALBE RAPID ROB, 26X2.1	SCHWALBE RAPID ROB, 26X2.1	SCHWALBE RAPID ROB, 26X2.1	KENDA SMALL BLOCK 8, 26X2.1"
PEDALS	FPD PLATFORM	FPD PLATFORM	FPD PLATFORM	FPD PLATFORM	FPD PLATFORM
CRANK	SHIMANO, FC-M131, 42/34/24	SRAM S800 3.1, 44/33/22	SHIMANO FC-M430-8, OCTALINK, 44/32/22	SHIMANO FC-M391-8, OCTALINK, 44/32/22	SHIMANO, FC-M311-8, 42/32/22
BOTTOM BRACKET	TANGE SEIKI LN-3912	SRAM POWERSPLINE W/ ALLOY CUPS	SHIMANO BB-ES25, OCTALINK	SHIMANO BB-ES25, OCTALINK	SHIMANO ES-25 OCTALINK
CHAIN	KMC Z-72	KMC X10	SHIMANO HG53	SHIMANO HG53	KMC X8
REAR COGS	SUNRACE M56, 11-32, 8-SPEED	SRAM PG 1030, 11-36, 10-SPEED	SUNRACE M96, 11-34, 9-SPEED	SUNRACE M96, 11-34, 9-SPEED	SHIMANO HG31-8, 11-32, 8-SPEED
FR. DERAILLEUR	SHIMANO FD-M190, 34.9 CLAMP	SRAM X5, 31.8 CLAMP	SHIMANO ACERA, 31.8 CLAMP	SHIMANO ALTUS, 31.8 CLAMP	SHIMANO ALTUS, 34.9 CLAMP
REAR DERAILLEUR	SHIMANO ALTUS	SRAM X5, 10-SPEED	SHIMANO DEORE, SHADOW DESIGN, 9-SPEED	SHIMANO ALIVIO, 9-SPEED	SHIMANO ACERA
SHIFTERS	SHIMANO SL-M310, W/ GEAR DISPLAY	SRAM X5	SHIMANO ALIVIO, W/ GEAR DISPLAY	SHIMANO ACERA, W/ GEAR DISPLAY	SHIMANO ACERA W/ GEAR DISPLAY
HANDLEBAR	CANNONDALE C4, 660X30MM, 6061 ALLOY	CANNONDALE C3, 680X20, 6061 DOUBLE-BUTTED ALLOY	CANNONDALE C3, 680X20, 6061 DOUBLE-BUTTED ALLOY	CANNONDALE C4, 1-1/8", 31.8, 7 DEGREE	CANNONDALE C4, 660X30MM, 6061 ALLOY
GRIPS	CANNONDALE DUAL-DENSITY GRIP	CANNONDALE LOCKING GRIPS	CANNONDALE LOCKING GRIPS	CANNONDALE DUAL-DENSITY GRIP	CANNONDALE DUAL-DENSITY GRIP
STEM	CANNONDALE C4, 1-1/8", 31.8, 7 DEGREE	CANNONDALE C4, 1.5", 31.8, 7 DEGREE	CANNONDALE C4, 1.5", 31.8, 7 DEGREE	CANNONDALE C4, 1-1/8", 31.8, 7 DEGREE	CANNONDALE C4, 1-1/8", 31.8, 7 DEGREE
HEADSET	TANGE SEIKI ER2 SLIM STACK	TANGE CUSTOM 1.5"	TANGE CUSTOM 1.5"	TANGE REDUCER 1.5 - 1-1/8"	TANGE SEIKI ER2 SLIM STACK
BRAKES	TEKTRO NOVELA MECHANICAL DISC, 160/160MM	AVID ELIXIR 1, 160/160MM	SHIMANO BR-M446, 160/160MM	CANNONDALE HELIX 6 HYDRAULIC DISC, 160/160MM	CANNONDALE HELIX 6 HYDRAULIC DISC, 160/160MM
BRAKE LEVERS	CANNONDALE	AVID ELIXIR 1	SHIMANO BR-M446	CANNONDALE HELIX 6	CANNONDALE
SADDLE	CANNONDALE STAGE 3	CANNONDALE STAGE 3	CANNONDALE STAGE 3	CANNONDALE STAGE 3	CANNONDALE STAGE 3
SEATPOST	CANNONDALE C4, 31.6X350MM (S, M), 400MM (L, X, J)	CANNONDALE C3, 27.2X350MM (S, M), 400MM (L, X)	CANNONDALE C3, 27.2X350MM (S, M), 400MM (L, X)	CANNONDALE C3, 27.2X350MM (S, M), 400MM (L, X)	CANNONDALE C4, 31.6X350MM (S, M), 400MM (L, X, J)
SIZES	S, M, L, X, J	S, M, L, X, J	S, M, L, X	S, M, L, X	S, M, L, X, J
COLOR 1 (CODE)	FINE SILVER, MATTE (SLV)	MAGNESIUM WHITE, GLOSS (WHT)	JET BLACK, MATTE (BBQ)	RACE RED, GLOSS (RED)	JET BLACK, MATTE (BBQ)
COLOR 2 (CODE)	MAGNESIUM WHITE, GLOSS (WHT)	N/A	N/A	N/A	BERSERKER GREEN, GLOSS (GRN)

	TRAIL 6	TRAIL 7
CODE	C13FT6	C13 FT7
FRAME	TRAIL, DOUBLE BUTTED 6061 ALLOY, SAVE, 1-1/8" HEAD TUBE	TRAIL, DOUBLE BUTTED 6061 ALLOY, SAVE, 1-1/8" HEAD TUBE
FORK	SR SUNTOUR XCT-100-26, 100MM, COIL SPRING, 1-1/8"	SR SUNTOUR XCT-V4-DS, 100MM, COIL SPRING, 1-1/8"
RIMS	ALEX DC4.5, DOUBLE WALL, 32 HOLE	WEINMANN DC5.0, DOUBLE WALL, 32 HOLE
HUBS	CANNONDALE C4, FRONT AND REAR	CANNONDALE C4, FRONT AND REAR
SPOKES	STAINLESS STEEL, 14G	STAINLESS STEEL, 14G
TIRES	KENDA SMALL BLOCK 8, 26X2.1"	KENDA KADRE, 26X2.1"
PEDALS	FPD PLATFORM	FPD PLATFORM
CRANK	SHIMANO, FC-M131, 42/34/24	SR SUNTOUR CW13-NEX-TI02-PB, 42/34/24
CRANK OPTION	N/A	N/A
BOTTOM BRACKET	TANGE SEIKI LN-3912	TANGE SEIKI LN-3912
CHAIN	KMC Z-72	KMC Z-51
REAR COGS	SUNRACE M56, 11-32, 8-SPEED	SHIMANO HG20-7, 12-32, 7-SPEED
FR. DERAILLEUR	SHIMANO FD-M190, 34.9 CLAMP	SHIMANO FD-TX50, 34.9 CLAMP
REAR DERAILLEUR	SHIMANO ALTUS	SHIMANO ALTUS
SHIFTERS	SHIMANO SL-M310 W/ GEAR DISPLAY	SHIMANO ST-EF51 W/ GEAR DISPLA
HANDLEBAR	CANNONDALE C4, 660X30MM, 6061 ALLOY	CANNONDALE C4, 660X30MM, 6061 ALLO
GRIPS	CANNONDALE DUAL-DENSITY GRIP	CANNONDALE DUAL-DENSITY GR
STEM	CANNONDALE C4, 1-1/8", 31.8, 7 DEGREE	CANNONDALE C4, 1-1/8", 25.4, 7 DEGREE
HEADSET	TANGE SEIKI ER2 SLIM STACK	TANGE SEIKI ER2 SLIM STACK
BRAKES	TEKTRO NOVELA MECHANICAL DISC, 160/160MM	TEKTRO NOVELA MECHANICAL DISC, 160/160MM
BRAKE LEVERS	CANNONDALE	SHIMANO ST-EF51
SADDLE	CANNONDALE STAGE 3	CANNONDALE STAGE 3
SEATPOST	CANNONDALE C4, 31.6X350MM (S, M), 400MM (L, X, J)	CANNONDALE C4, 31.6X350MM (S, M), 400MM (L, X, J)
SIZES	S, M, L, X, J	S, M, L, X, J
COLOR 1 (CODE)	FINE SILVER, GLOSS (SLV)	JET BLACK, GLOSS (BLK)
COLOR 2 (CODE)	MAGNESIUM WHITE, GLOSS (WHT)	RACE RED, GLOSS (RED)

Specifications subject to change without notice.

CLAYMORE

SPECIFICATIONS	SMALL	MEDIUM	LARGE	X-LARGE
A SEAT TUBE LENGTH (CM/IN)	39.5/15.6	43.0/16.9	47.0/18.5	51.0/20.1
B TOP TUBE HORIZONTAL (CM/IN)	54.9/21.6	58.2/22.9	61.1/24.1	64.3/25.3
C TOP TUBE ACTUAL (CM/IN)	52.9/20.8	55.6/21.9	58.2/22.9	61.3/24.1
D HEAD TUBE ANGLE HI BB (DEGREES)	66.5°	67.0°	★	★
D HEAD TUBE ANGLE LOW BB (DEGREES)	65.5°	66°	★	★
E SEAT TUBE ANGLE EFFECTIVE (DEGREES)	73.0°	72.6°	72.1°	71.8°
F STANDOVER HI BB (CM/IN)	73.7/29.0	75.6/29.8	78.2/30.8	80.7/31.8
F STANDOVER LOW BB (CM/IN)	72.6/28.6	74.5/29.3	77.1/30.3	79.6/31.3
G HEAD TUBE LENGTH (CM/IN)	11.5/4.5	13.0/5.1	14.0/5.5	15.0/5.9
H WHEELBASE (CM/IN)	110.9/43.7	113.2/44.6	115.7/45.6	118.5/46.7
I FRONT CENTER (CM/IN)	67.6/26.6	69.9/27.5	72.4/28.5	75.2/29.6
J CHAIN STAY LENGTH (CM/IN)	43.3/17.0	★	★	★
K BOTTOM BRACKET DROP HI BB (CM/IN)	2.0/0.8	★	★	★
K BOTTOM BRACKET DROP LOW BB (CM/IN)	0.8/0.3	★	★	★
L BOTTOM BRACKET HEIGHT HI BB (CM/IN)	35.8/14.1	★	★	★
L BOTTOM BRACKET HEIGHT LOW BB (CM/IN)	34.6/13.6	★	★	★
M FORK RAKE (CM/IN)	3.9/1.5	★	★	★
N TRAIL (CM/IN)	10.5/4.1	10.2/4.0	★	★

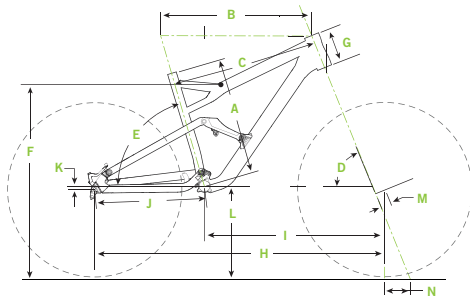


JEKYLL CARBON / JEKYLL ALLOY

SPECIFICATIONS	SMALL	MEDIUM	LARGE	X-LARGE
A SEAT TUBE LENGTH (CM/IN)	43.2/17.0	45.7/18.0	48.3/19.0	50.8/20.0
B TOP TUBE HORIZONTAL (CM/IN)	55.6/21.9	58.8/23.1	61.4/24.2	64.2/25.3
C TOP TUBE ACTUAL (CM/IN)	53.4/21.0	56.4/22.2	59.1/23.3	61.8/24.3
D HEAD TUBE ANGLE (DEGREES)	67.7°	67.8°	67.9°	68.0°
E SEAT TUBE ANGLE EFFECTIVE (DEGREES)	73.6°	★	★	73.5°
E' SEAT TUBE ANGLE ACTUAL (DEGREES)				
F STANDOVER (CM/IN)	75.2/29.6	75.3/29.6	76.4/30.1	77.7/30.6
G HEAD TUBE LENGTH (CM/IN)	13.4/5.3	★	★	16.0/6.3
H WHEELBASE (CM/IN)	110.0/43.3	113.1/44.5	115.5/45.5	118.4/46.6
I FRONT CENTER (CM/IN)	67.2/26.5	70.3/27.7	72.7/28.6	75.6/29.8
J CHAIN STAY LENGTH (CM/IN)	42.8/16.9	★	★	★
K BOTTOM BRACKET DROP (CM/IN)	1.2/0.5	★	★	★
L BOTTOM BRACKET HEIGHT (CM/IN)	35.0/13.8	★	★	★
M FORK RAKE (CM/IN)	4.0/1.6	★	★	★
N TRAIL (CM/IN)	9.5/3.8	9.5/3.8	9.4/3.7	9.3/3.7

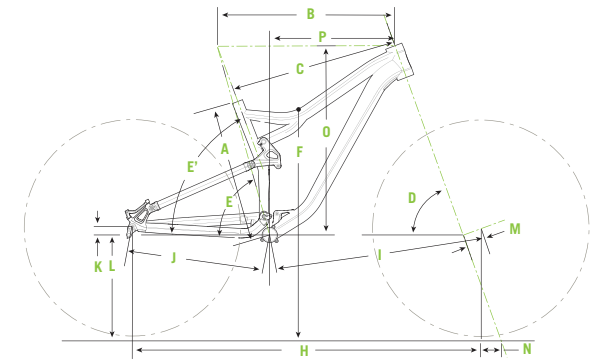
TRIGGER CARBON

SPECIFICATIONS	SMALL	MEDIUM	LARGE	X-LARGE
A SEAT TUBE LENGTH (CM/IN)	43.2/17.0	45.7/18.0	48.3/19.0	50.8/20.0
B TOP TUBE HORIZONTAL (CM/IN)	55.7/21.9	58.6/23.1	61.3/24.1	63.9/25.2
C TOP TUBE ACTUAL (CM/IN)	52.9/20.8	55.7/21.9	58.6/23.1	61.2/24.1
D HEAD TUBE ANGLE (DEGREES)	68.5°	69.0°	★	★
E SEAT TUBE ANGLE EFFECTIVE (DEGREES)	73.0°	★	★	★
E' SEAT TUBE ANGLE ACTUAL (DEGREES)	73.0°	★	★	★
F STANDOVER (CM/IN)	72.5/28.5	73.5/28.9	74.0/29.1	75.0/29.5
G HEAD TUBE LENGTH (CM/IN)	13.4/5.3	★	★	16.0/6.3
H WHEELBASE (CM/IN)	108.6/42.7	110.9/43.6	113.6/44.7	116.4/45.8
I FRONT CENTER (CM/IN)	66.1/26.0	68.4/26.9	71.1/28.0	73.9/29.1
J CHAIN STAY LENGTH (CM/IN)	42.5/16.7	★	★	★
K BOTTOM BRACKET DROP (CM/IN)	0.0/0.0	★	★	★
L BOTTOM BRACKET HEIGHT (CM/IN)	33.0/13.0	★	★	★
M FORK RAKE (CM/IN)	4.5/1.8	★	★	★
N TRAIL (CM/IN)	8.2/3.2	7.9/3.1	★	★



TRIGGER 29'ER ALLOY

SPECIFICATIONS	SMALL	MEDIUM	LARGE	X-LARGE
A SEAT TUBE LENGTH (CM/IN)	42.5/16.7	44.5/17.5	48.5/19.1	50.9/20.0
B TOP TUBE HORIZONTAL (CM/IN)	56.8/22.4	59.6/23.5	62.4/24.6	65.2/25.7
C TOP TUBE ACTUAL (CM/IN)	51.7/20.4	54.0/21.3	56.6/22.3	59.1/23.3
D HEAD TUBE ANGLE	69.0°	69.0°	69.5°	69.5°
E SEAT TUBE ANGLE EFFECTIVE	73.5°	★	★	★
E' SEAT TUBE ANGLE ACTUAL	69.2°	★	★	★
F STANDOVER (CM/IN)	73.4/28.9	75.4/29.7	76.8/30.2	78.3/30.8
G HEAD TUBE LENGTH (CM/IN)	9.7/3.8	11.0/4.3	12.2/4.8	13.4/5.3
H WHEELBASE (CM/IN)	111.4/43.9	114.3/45.0	116.6/45.9	119.5/47.0
I FRONT CENTER (CM/IN)	66.8/26.3	69.7/27.4	72.0/28.3	74.8/29.4
J CHAIN STAY LENGTH (CM/IN)	44.8/17.6	★	★	★
K BOTTOM BRACKET DROP (CM/IN)	2.8/1.1	★	★	★
L BOTTOM BRACKET HEIGHT (CM/IN)	34.8/13.7	★	★	★
M FORK RAKE (CM/IN)	5.3/2.1	★	★	★
N TRAIL (CM/IN)	8.8/3.5	8.8/3.5	8.4/3.3	8.4/3.3
O STACK (CM/IN)	60.4/23.8	61.6/24.3	63.0/24.8	64.1/25.2
P REACH (CM/IN)	38.9/15.3	41.4/16.3	43.7/17.2	46.2/18.2

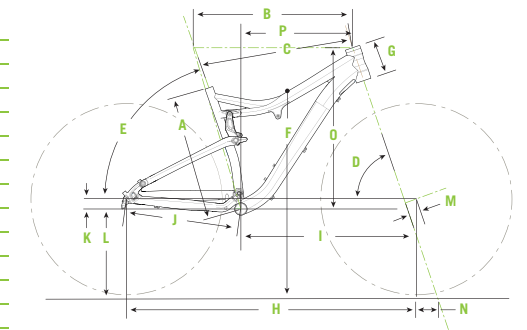


SCALPEL 29'ER CARBON

SPECIFICATIONS	SMALL	MEDIUM	LARGE	X-LARGE
A SEAT TUBE LENGTH (CM/IN)	42.0/16.5	44.5/17.5	48.5/19.1	53.5/21.1
B TOP TUBE HORIZONTAL (CM/IN)	56.9/22.4	59.3/23.3	61.7/24.3	64.1/25.2
C TOP TUBE ACTUAL (CM/IN)	53.5/21.1	55.5/21.9	57.8/22.8	60.5/23.8
D HEAD TUBE ANGLE (DEGREES)	70.5°	71.0°	71.2°	71.4°
E SEAT TUBE ANGLE EFFECTIVE (DEGREES)	73.5°	★	★	★
F STANDOVER (CM/IN)	73.6/29.0	74.7/29.4	75.6/29.8	77.2/30.4
G HEAD TUBE LENGTH (CM/IN)	12.2/4.8	★	★	★
H WHEELBASE (CM/IN)	108.2/42.6	110.0/43.3	112.2/44.2	114.3/45.0
I FRONT CENTER (CM/IN)	64.0/25.2	65.9/25.9	68.0/26.8	70.2/27.6
J CHAIN STAY LENGTH (CM/IN)	44.4/17.5	★	★	★
K BOTTOM BRACKET DROP (CM/IN)	3.8/1.5	★	★	★
L BOTTOM BRACKET HEIGHT (CM/IN)	33.2/13.1	★	★	★
M FORK RAKE (CM/IN)	4.5/1.8	★	★	★
N TRAIL (CM/IN)	8.3/3.3	8.0/3.1	7.8/3.1	7.7/3.0
O STACK (CM/IN)	61.2/24.1	61.4/24.2	61.5/24.2	61.5/24.2
P REACH (CM/IN)	38.8/15.3	41.2/16.2	43.5/17.1	45.9/18.1

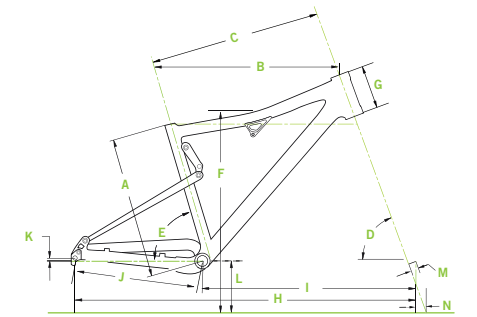
SCALPEL 29'ER ALLOY

SMALL	MEDIUM	LARGE	X-LARGE
41.1/16.2	43.0/16.9	48.5/19.1	53.5/21.1
56.9/22.4	59.3/23.3	61.7/24.3	64.1/25.2
53.2/20.9	55.3/21.8	57.8/22.8	60.8/23.9
70.5°	71.0°	71.2°	71.4°
73.9°	73.7°	73.5°	73.3°
73.5/28.9	73.5/28.9	75.3/29.6	76.6/30.1
12.2/4.8	★	★	★
108.2/42.6	110.0/43.3	112.2/44.2	114.3/45.0
64.0/25.2	65.9/25.9	68.0/26.8	70.2/27.6
44.4/17.5	★	★	★
3.8/1.5	★	★	★
33.2/13.1	★	★	★
4.5/1.8	★	★	★
8.3/3.3	8.0/3.1	7.8/3.1	7.7/3.0
61.0/24.0	61.2/24.1	61.3/24.1	61.4/24.2
38.9/15.3	41.2/16.2	43.6/17.2	46.0/18.1



RZ ONE-TWENTY

SPECIFICATIONS	SMALL	MEDIUM	LARGE	X-LARGE
A SEAT TUBE LENGTH (CM/IN)	43.2/17.0	45.7/18.0	48.3/19.0	50.9/20.0
B TOP TUBE HORIZONTAL (CM/IN)	56.0/22.0	58.7/23.1	61.3/24.1	64.1/25.2
C TOP TUBE ACTUAL (CM/IN)	53.5/21.1	56.2/22.1	59.1/23.3	61.9/24.4
D HEAD TUBE ANGLE (DEGREES)	69.0°	★	★	★
E SEAT TUBE ANGLE EFFECTIVE (DEGREES)	73.5°	★	★	★
F STANDOVER (CM/IN)	73.1/28.8	76.0/29.9	76.1/30.0	76.0/29.9
G HEAD TUBE LENGTH (CM/IN)	13.4/5.3	★	★	16.0/6.3
H WHEELBASE (CM/IN)	107.6/42.4	110.3/43.4	113.0/44.5	116.0/45.7
I FRONT CENTER (CM/IN)	65.2/25.7	67.8/26.7	70.5/27.8	73.5/28.9
J CHAIN STAY LENGTH (CM/IN)	42.5/16.7	★	★	★
K BOTTOM BRACKET DROP (CM/IN)	0.0/0.0	★	★	★
L BOTTOM BRACKET HEIGHT (CM/IN)	33.0/13.0	★	★	★
M FORK RAKE (CM/IN)	4.5/1.8	★	★	★
N TRAIL (CM/IN)	7.8/3.1	★	★	★



★ Indicates same as previous

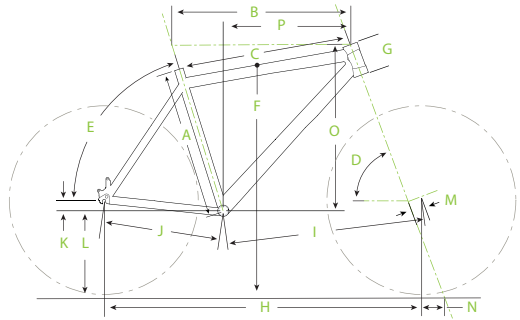
Specifications subject to change without notice.

F29 CARBON

SPECIFICATIONS	MEDIUM	LARGE	X-LARGE
A SEAT TUBE LENGTH (CM/IN)	43.3/17	47.5/18.7	52.5/20.7
B TOP TUBE HORIZONTAL (CM/IN)	59.3/23.3	62.2/24.5	64.1/25.2
C TOP TUBE ACTUAL (CM/IN)	57.8/22.8	59.7/23.5	61.2/24.1
D HEAD TUBE ANGLE (DEGREES)	71.0 °	71.0 °	71.5 °
E SEAT TUBE ANGLE EFFECTIVE (DEGREES)	73.5 °	73.0 °	72.5 °
F STANDOVER AT TOP TUBE (CM/IN)	80.9/31.9	82.9/32.6	85.3/33.6
G HEAD TUBE LENGTH - (CM/IN)	13.4/5.3	13.4/5.3	13.4/5.3
H WHEELBASE (CM/IN)	108.8/42.8	111.1/43.7	111.8/44
I FRONT CENTER (CM/IN)	65.2/25.7	67.5/26.6	68.2/26.9
J CHAIN STAY LENGTH (CM/IN)	44.4/17.5	★	★
K BOTTOM BRACKET DROP (CM/IN)	6.5/2.6	★	★
L BOTTOM BRACKET HEIGHT (CM/IN)	30.5/12	★	★
M FORK RAKE (CM/IN)	4.5/1.8	★	★
N TRAIL (CM/IN)	8.0/3.1	8.0/3.1	7.6/3
O STACK (CM/IN)	64.1/25.2	64.1/25.2	64.3/25.3
P REACH (CM/IN)	40.3/15.9	42.6/16.8	43.8/17.2

F29 ALLOY

SPECIFICATIONS	SMALL	MEDIUM	LARGE	X-LARGE
A SEAT TUBE LENGTH (CM/IN)	39.0/15.4	43.3/17	47.5/18.7	52.5/20.7
B TOP TUBE HORIZONTAL (CM/IN)	56.5/22.2	59.3/23.3	62.2/24.5	64.1/25.2
C TOP TUBE ACTUAL (CM/IN)	56.4/22.2	57.8/22.8	59.7/23.5	61.2/24.1
D HEAD TUBE ANGLE (DEGREES)	71.0 °	★	★	71.5 °
E SEAT TUBE ANGLE EFFECTIVE (DEGREES)	73.5 °	73.5 °	73.0 °	72.5 °
F STANDOVER AT TOP TUBE (CM/IN)	78.8/31	80.9/31.9	82.9/32.6	85.3/33.6
G HEAD TUBE LENGTH - (CM/IN)	13.4/5.3	★	★	★
H WHEELBASE (CM/IN)	106.0/41.7	108.8/42.8	111.1/43.7	111.8/44
I FRONT CENTER (CM/IN)	62.4/24.6	65.2/25.7	67.5/26.6	68.2/26.9
J CHAIN STAY LENGTH (CM/IN)	44.4/17.5	★	★	★
K BOTTOM BRACKET DROP (CM/IN)	6.5/2.6	★	★	★
L BOTTOM BRACKET HEIGHT (CM/IN)	30.5/12	★	★	★
M FORK RAKE (CM/IN)	4.5/1.8	★	★	★
N TRAIL (CM/IN)	8.0/3.1	★	★	7.6/3
O STACK (CM/IN)	64.1/25.2	★	★	64.3/25.3
P REACH (CM/IN)	37.5/14.8	40.3/15.9	42.6/16.8	43.8/17.2



TRAIL SL 29'ER

SPECIFICATIONS	SMALL	MEDIUM	LARGE	X - LARGE	JUMBO
A SEAT TUBE LENGTH (CM/IN)	38.0/15.0	43.3/17.0	47.5/18.7	52.5/20.7	57.0/22.4
B TOP TUBE HORIZONTAL (CM/IN)	55.0/21.7	59.4/23.4	62.3/24.5	64.0/25.2	65.0/25.6
C TOP TUBE ACTUAL (CM/IN)	56.1/22.1	60.3/23.7	62.9/24.8	64.4/25.4	65.2/25.7
D HEAD TUBE ANGLE (DEGREES)	71.0 °	★	★	★	71.5 °
E SEAT TUBE ANGLE EFFECTIVE (DEGREES)	73.5 °	73.5 °	73.0 °	72.5 °	72.5 °
F STANDOVER MIDPOINT(CM/IN)	76.3/30.0	79.4/31.3	81.9/32.2	84.9/33.4	87.8/34.6
G HEAD TUBE LENGTH (CM/IN)	9.0/3.5	10.2/4.0	11.4/4.5	12.7/5.0	14.0/5.5
H WHEELBASE (CM/IN)	104.3/41.1	108.8/42.8	111.1/43.7	112.3/44.2	112.7/44.4
I FRONT CENTER (CM/IN)	60.7/23.9	65.2/25.7	67.5/26.6	68.7/27.0	69.1/27.2
J CHAIN STAY LENGTH (CM/IN)	44.4/17.5	★	★	★	★
K BOTTOM BRACKET DROP (CM/IN)	6.5/2.6	★	★	★	★
L BOTTOM BRACKET HEIGHT (CM/IN)	30.5/12.0	★	★	★	★
M FORK RAKE (CM/IN)	4.5/1.8	★	★	★	★
N TRAIL (CM/IN)	8.0/3.1	★	★	★	7.6/3.0
O STACK (CM/IN)	59.8/23.5	61.0/24.0	62.2/24.5	63.4/25.0	64.8/25.5
P REACH (CM/IN)	37.3/14.7	41.3/16.3	43.3/17.0	44.0/17.3	44.6/17.6

TRAIL 29'ER ALLOY

SPECIFICATIONS	SMALL	MEDIUM	LARGE	X-LARGE	JUMBO
A SEAT TUBE LENGTH (CM/IN)	38.0/15.0	43.3/17.0	47.5/18.7	52.5/20.7	57.0/22.4
B TOP TUBE HORIZONTAL (CM/IN)	55.0/21.7	59.4/23.4	62.3/24.5	64.0/25.2	65.0/25.6
C TOP TUBE ACTUAL (CM/IN)	54.8/21.6	57.5/22.7	59.8/23.5	61.2/24.1	62.3/24.5
D HEAD TUBE ANGLE (DEGREES)	71.0 °	★	★	★	71.5 °
E SEAT TUBE ANGLE EFFECTIVE (DEGREES)	73.5 °	★	73.0 °	72.5 °	★
F STANDOVER MIDPOINT(CM/IN)	71.5/28.1	74.0/29.1	76.5/30.1	79.4/31.3	82.3/32.4
G HEAD TUBE LENGTH (CM/IN)	10.2/4.0	10.2/4.0	11.4/4.5	12.7/5.0	14.0/5.5
H WHEELBASE (CM/IN)	105.2/41.4	109.6/43.1	111.9/44.1	113.1/44.5	113.4/44.7
I FRONT CENTER (CM/IN)	61.6/24.3	65.4/25.7	67.7/26.7	68.8/27.1	69.2/27.3
J CHAIN STAY LENGTH (CM/IN)	45.0/17.7	★	★	★	★
K BOTTOM BRACKET DROP (CM/IN)	6.5/2.6	★	★	★	★
L BOTTOM BRACKET HEIGHT (CM/IN)	30.5/12.0	★	★	★	★
M FORK RAKE (CM/IN)	4.6/1.8	★	★	★	★
N TRAIL (CM/IN)	7.9/3.1	★	★	★	7.5/3.0
O STACK (CM/IN)	49.8/19.6	49.8/19.6	51.0/20.1	52.2/20.6	53.6/21.1
P REACH (CM/IN)	40.2/15.8	44.6/17.6	46.7/18.4	47.6/18.7	48.1/18.9

TRAIL SL

SPECIFICATIONS	SMALL	MEDIUM	LARGE	X - LARGE	JUMBO
A SEAT TUBE LENGTH (CM/IN)	38.0/15.0	43.3/17.0	47.5/18.7	52.5/20.7	57.0/22.4
B TOP TUBE HORIZONTAL (CM/IN)	55.0/21.7	58.4/23.0	61.4/24.2	62.9/24.8	63.7/25.1
C TOP TUBE ACTUAL (CM/IN)	56.4/22.2	59.5/23.4	62.2/24.5	63.4/25.0	64.0/25.2
D HEAD TUBE ANGLE (DEGREES)	70.0°	★	★	★	★
E SEAT TUBE ANGLE EFFECTIVE (DEGREES)	73.5°	73.5°	73.0°	72.5°	72.5°
E' SEAT TUBE ANGLE ACTUAL (DEGREES)	73.5°	73.5°	73.0°	72.5°	72.5°
F STANDOVER MIDPOINT(CM/IN)	74.5/29.3	77.7/30.6	80.2/31.6	83.2/32.8	85.9/33.8
G HEAD TUBE LENGTH (CM/IN)	9.0/3.5	10.2/4.0	11.4/4.5	12.7/5.0	14.0/5.5
H WHEELBASE (CM/IN)	104.6/41.2	108.1/42.6	110.6/43.5	111.6/43.9	112.4/44.3
I FRONT CENTER (CM/IN)	62.4/24.6	65.9/25.9	68.4/26.9	69.4/27.3	70.3/27.7
J CHAIN STAY LENGTH (CM/IN)	42.4/16.7	★	★	★	★
K BOTTOM BRACKET DROP (CM/IN)	3.0/1.2	★	★	★	★
L BOTTOM BRACKET HEIGHT (CM/IN)	31.0/12.2	★	★	★	★
M FORK RAKE (CM/IN)	4.5/1.8	★	★	★	★
N TRAIL (CM/IN)	7.6/3.0	★	★	★	★
O STACK (CM/IN)	56.4/22.2	57.6/22.7	58.8/23.1	59.9/23.6	61.1/24.1
P REACH (CM/IN)	38.2/15.0	41.3/16.3	43.4/17.1	44.0/17.3	44.4/17.5

TRAIL

SPECIFICATIONS	SMALL	MEDIUM	LARGE	X-LARGE	JUMBO
A SEAT TUBE LENGTH (CM/IN)	38.0/15	43.3/17	47.5/18.7	52.5/20.7	57.0/22.4
B TOP TUBE HORIZONTAL (CM/IN)	55.0/21.7	58.4/23	61.4/24.2	62.9/24.8	63.7/25.1
C TOP TUBE ACTUAL (CM/IN)	53.9/21.2	56.3/22.2	58.9/23.2	60.4/23.8	61.7/24.3
D HEAD TUBE ANGLE (DEGREES)	70.0°	★	★	★	★
E SEAT TUBE ANGLE EFFECTIVE (DEGREES)	73.5°	73.5°	73.0°	72.5°	72.5°
F STANDOVER MIDPOINT(CM/IN)	74.3/29.3	76.8/30.2	78.8/31	82.6/32.5	84.7/33.3
G HEAD TUBE LENGTH (CM/IN)	11.4/4.5	★	★	11.4/5.7	11.4/5.7
H WHEELBASE (CM/IN)	104.7/41.2	108.2/42.6	110.6/43.4	117.7/44	142.4/44.3
I FRONT CENTER (CM/IN)	62.6/24.6	★	★	★	★
J CHAIN STAY LENGTH (CM/IN)	42.4/16.7	★	★	★	★
K BOTTOM BRACKET DROP (CM/IN)	3.5/1.4	★	★	★	★
L BOTTOM BRACKET HEIGHT (CM/IN)	29.0/11.4	★	★	★	★
M FORK RAKE (CM/IN)	4.5/1.8	★	★	★	★
N TRAIL (CM/IN)	7.0/2.8	★	★	★	★
O STACK (CM/IN)	8.0/3.1	★	★	★	7.6/3.0
P REACH (CM/IN)	37.3/14.7	41.3/16.3	43.3/17.0	44.0/17.3	44.6/17.6

★ Indicates same as previous

Specifications subject to change without notice.

REGISTERED TRADEMARKS® OF CYCLING SPORTS GROUP, INC.:

Cannondale, the Cannondale "C" logo, the Cannondale train station logo, Daytripper, Claymore, CSGXCHANGE, Fatty, Gemini, Jekyll, Lefty, Perp, Prophet, Scalpel, Slice, Velopods, Synapse, System6, Systemsix, Hooligan, Felicity, SIMON, ELO, Felicity, Scarlet, SuperSix.

TRADEMARKS™ OF CYCLING SPORTS GROUP, INC.:

BB30, Beat Box, CAAD (Cannondale Advanced Aluminum Design), HeadShok, Hi-MOD, Hollowgram, "Fit, Features and Fashion", Naero, PowerPyramid, Quick, Q-Lab, RZ, SAVE, Si, Spidering, System Integration, BallisTec Carbon, SmartFormed Alloy, ECS-TC (Enhanced Center-Stiffness, Torsion Control) System, Zero Pivot, Lexi, Althea, Trigger, Narrow is Aero, Durathon and PopTop.

Liquigas is a registered trademark and used with their permission. Reve 2012 is a copyright of Reve/Velodramatic. FOX, FOX Racing Shox and Dyad RT2 are registered trademarks of FOX Factory Inc. and are used with their permission. Solo Air, RockShok, XLoc are registered trademarks of SRAM and are used with their permission. X-12 is a trademark of Syntace GmbH and is used with their permission. EVO is a trademark of Aprebic Industry Co. Ltd. and used under license.

Cannondale supports pro teams. We are grateful for the past and/or current support of: FSA, Mavic, SRAM (including Avid, Rockshox, Zipp), Lotto, Rudy Project, MeT, Nalini, Sidi, fi'zi:k, SRM, Speedplay, Schwalbe, Elite, Sci Con, Crankbrothers, Avid, Cyclocrossworld.com, Zipp, Grip Grab, Campagnolo, Shimano. Branding from these partners, based on sponsor agreements may be seen on photos in this catalog. Individual athletes may display other sponsored brands, based upon their own sponsorship agreements with those brands.

WWW.CANNONDALE.COM

Please visit [cannondale.com](http://www.cannondale.com) to learn more about Cannondale and the 2013 bikes! Specifications subject to change without notice.

Please refer to www.cannondale.com for the most recent specifications.

NO WEIGHTS?

Don't believe the hype. Scales differ, and marketing departments have been known to fib. The best way to compare bike weights is to head to your local bike shop. Grab two comparably spec'd and built bikes, and ask the proprietor for a scale. Hang 'em high, and see who's the lightest.

SPECIAL THANKS GOES TO:

ALE DILULLO	MIKE KARCHER/WIX PIX	SMITH OPTICS
ARMIN KUSTENBRUCK	REBECCA MARSHALL	THULE
BETTINI PHOTO	ROBERTSON/VELODRAMATIC	OAKLEY
BRIAN VERNOR	SINCERE PHOTO AND DESIGN	OSPREY PACKS
DH PRODUCTIONS	WIL MATTHEWS	MAVIC
GARTH MILAN	WTB	ALL OF OUR MODELS
HAVERKORT DEKKER FOTOGRAFIE	KINGDOM TRAILS ASSOCIATION	OUR RIDERS
JAKE HAMM	DEER VALLEY RESORT	OUR VENDORS
JASON GOULD	WHITE PINE TOURING	OUR DEALERS
LIAM DORAN	NATIVE EYEWEAR	AND YOU FOR RIDING A CANNONDALE
MARCOTONIOLO		



WARNINGS!

Bicycling has risks of serious injury or death that cannot be completely avoided. Risk can be minimized by: Reading and following all warnings and instructions in owner's manuals, owner's manual supplements, always wearing a helmet, practice and step-by-step learning, riding in control and within your capabilities.

Catalog text and descriptions are marketing materials, not instructions or guidelines for use!

Visit <http://www.cannondale.com/bikes/tech/safety> for warnings, technical documents, and safety guidelines.

Warning: Reflectors are not a substitute for proper lights. It is your responsibility to equip your bicycle with all state and locally mandated lights. Riding at dawn, at dusk, at night or at other times of poor visibility without a bicycle lighting system which meets local and state laws and without reflectors is dangerous and may result in serious injury or death.

If you ride your bike before dawn or after dusk, your bicycle must be equipped with lights so that you can see the road and avoid road hazards, and so that others can see you. Traffic laws treat bicycles like any other vehicle. That means you must have a white front and a red rear light operating if you are riding after dusk. Your bike dealer can recommend a battery or generator powered lighting system appropriate to your needs.

Cannondale also strongly urges you to use a flashing light or strobe. All of us at Cannondale who ride at night or in conditions of lower visibility use flashers. They can save your life

Please note: Despite our nagging, members of the Liquigas pro road racing team (and other professional sponsored teams) may appear or ride without helmets. We don't think it's a good idea, but they are experienced, professional cyclists and they know the risks. They are also adults, so we respect their right to choose. Despite the intransigence of any teams, we strongly advocate the use of helmets on every ride. Wearing a helmet is perhaps your single best defense against a major medical catastrophe while riding, so buckle up!

Warning: Free riding is inherently dangerous. Read Free ride Warning at <http://www.cannondale.com/bikes/tech/safety.html>

cannondale

CSG
CYCLING SPORTS GROUP™

DOREL

©8/2012 Cycling Sports Group, Inc.